



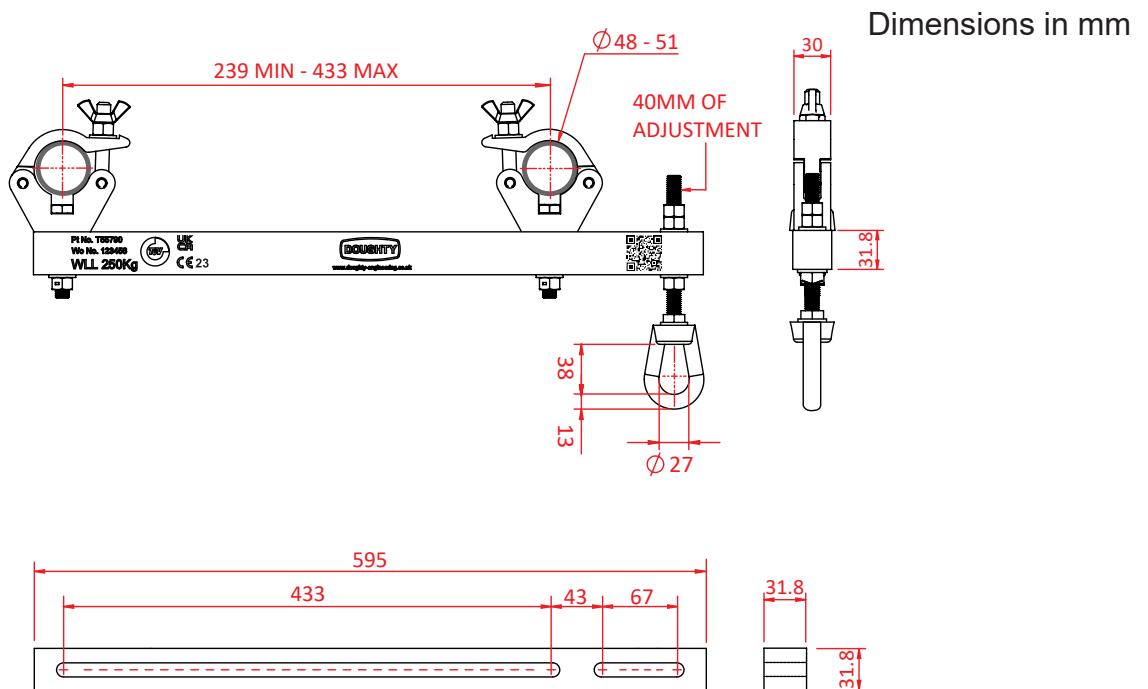
250Kg Rigging Bar



Product Data Sheet



An aluminium rigging bar	
Part Nos	T55790
Tube Diameter	Ø48-51mm
Tube Centres	239 to 433mm
Material	AW6082 T6 Aluminium Fixings Grade 8.8 Bow Nut S275 Mild Steel
Finish	Powder painted black
Max Torque	30Nm
WLL	250Kg
Safety Factor	5:1
Weight	3.10Kg
Approval	TÜV approved



DIMENSIONS ARE A GUIDE ONLY AND MAY VARY

Doughty Engineering Ltd - Crow Arch Lane, Ringwood, Hampshire, BH24 1NZ, UK
 +44 (0) 1425 478961, sales@doughty-engineering.co.uk - www.doughty-engineering.co.uk