



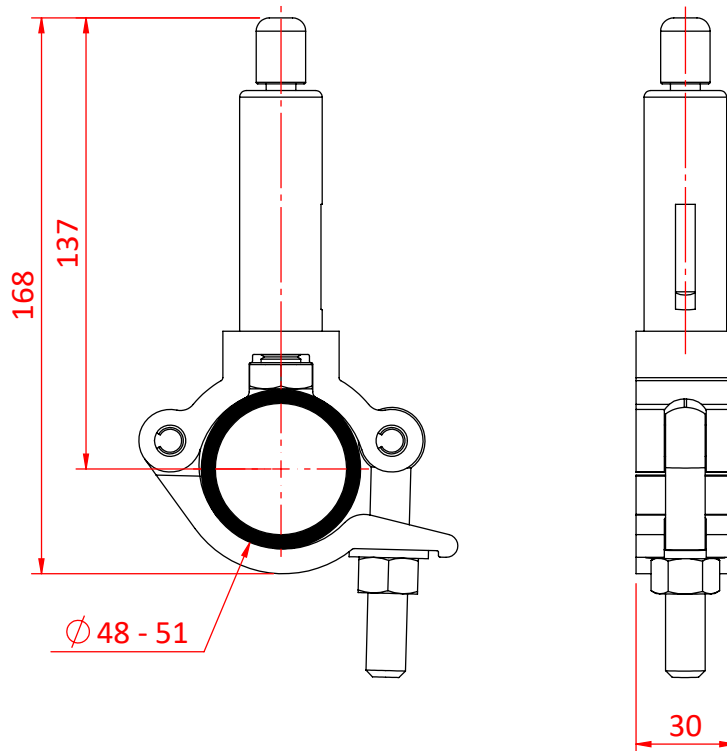
50SV III Cable Holder with Clamp

Product Data Sheet

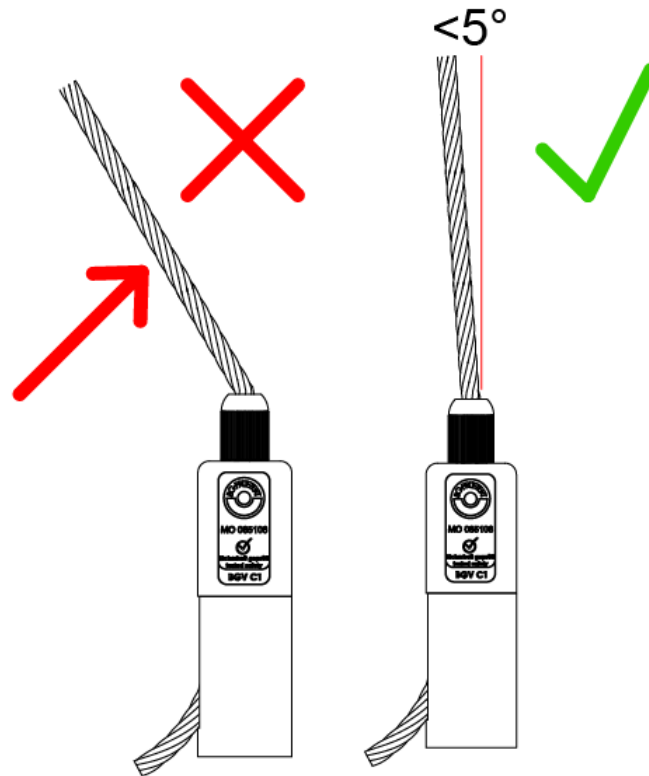


A Type 50 Cable Holder	
Part Nos	T37654
Fitted With	T58081 Half coupler clamp
Clamp Width	30mm
Mechanism Type	3 Ball
Tube Diameter	Ø48-51mm
Wire Diameter	Ø4mm & Ø5mm
WLL	4mm Wire - 60Kg 5mm Wire - 90Kg
Weight	0.50Kg

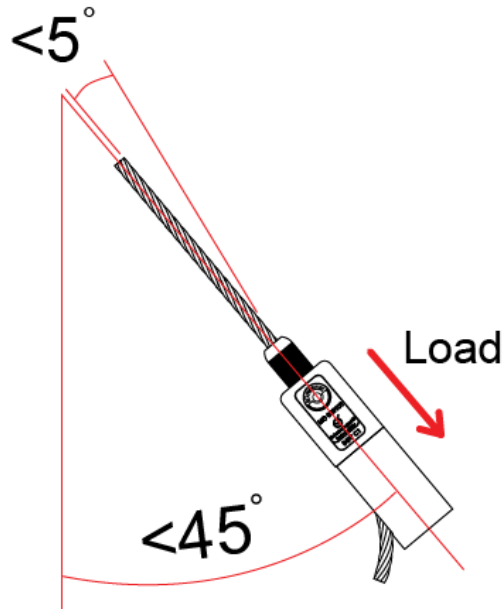
Dimensions in mm



DIMENSIONS ARE A GUIDE ONLY AND MAY VARY



The wire rope must exit in line with the Cable Holder.
The maximum angle allowed is 5 degrees.



Reutlinger Cable Holders can be used
up to an angle of 45 degrees.

The wire rope must not exceed 5 degrees
when exiting the cable holder.