

RGBW RF+DMX512 A9990365



Feature

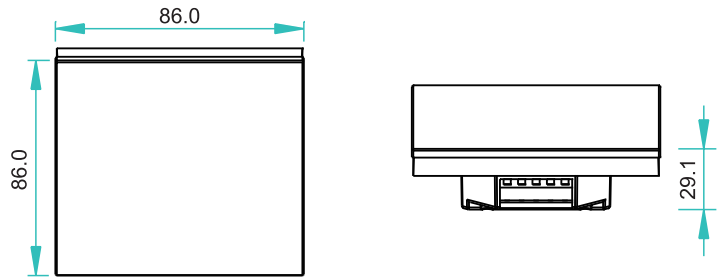
- Touch sensitive
- Glass interface(White & Black)
- Control 1 zone,save up to 4 color



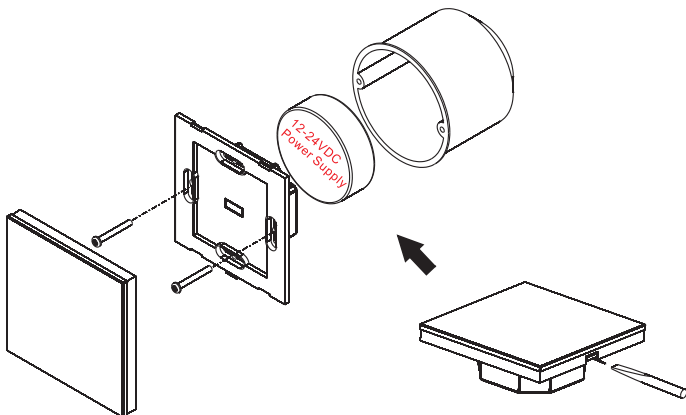
Parameter

Part No.	Operation Voltage	OUTPUT	DIMENSIONS ø/h (mm)
	12-24VDC	DMX512 Signal	86x86x29.1

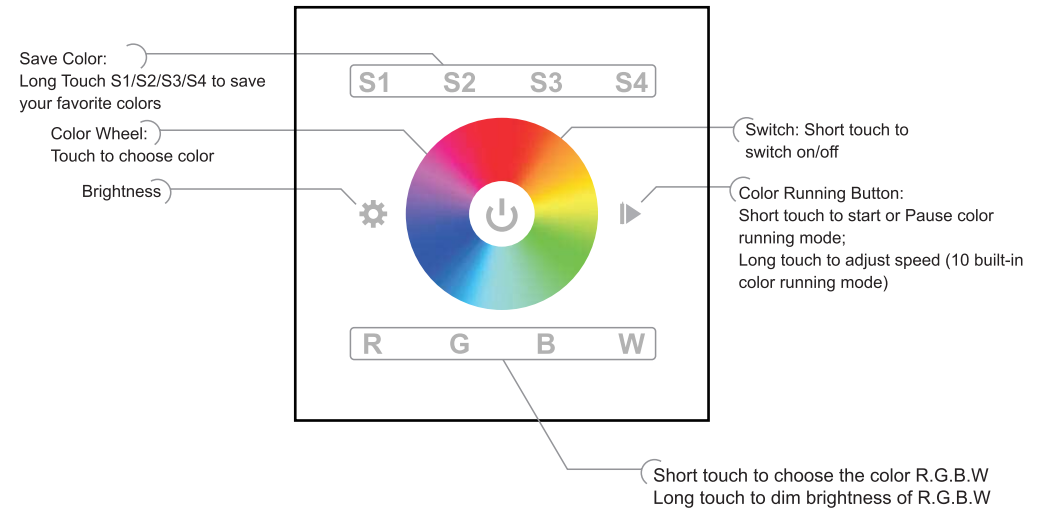
Product Size



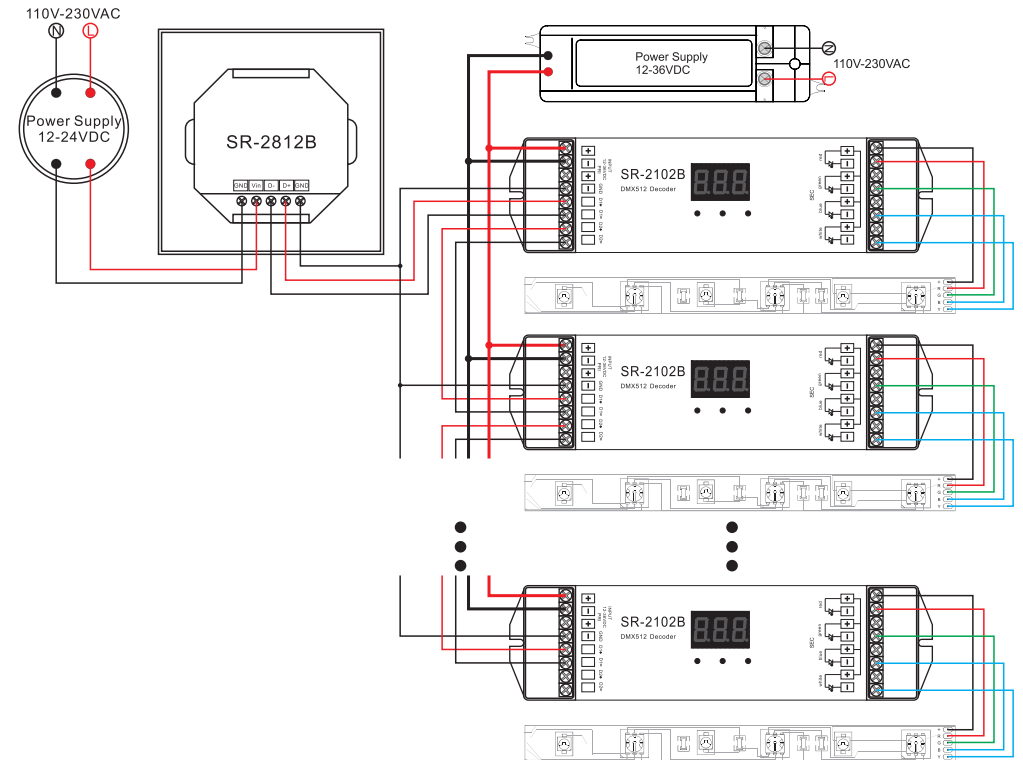
Installation



Button introduction




Wiring diagram



Operation

How to save color or mode

S1 S2 S3 S4 buttons can save the color from mode----> press **S1** or **S2** or **S3** or **S4** button over 3 seconds until connected light flashes. Then it saved successfully.
R G B W buttons.

Press button , mode runs, see favorite mode----> press **S1** or **S2** or **S3** or **S4** button over 3 seconds until connected light flashes. Then it saved successfully.

Touch color wheel or touch color temperature button or touch any **R G B W** buttons----> see favorite color----> press button over 3 seconds until connected light flashes. Then it saved successfully

How to recall color or mode?

Touch S1/S2/S3/S4 directly. .

Safety & Warnings

- 1) The product shall be installed and serviced by a qualified person.
- 2) IP20. Please avoid the sun and rain. When installed outdoors, please ensure it is mounted in a water proof enclosure.
- 3) Always be sure to mount this unit in an area with proper ventilation to avoid overheating.
- 4) Please check if the output voltage of any LED power supplies used comply with the working voltage of the product.
- 5) Never connect any cables while power is on and always assure correct connections to avoid short circuits before switching on.
- 6) Please ensure that the cable is secured tightly in the connector
- 7) For update information please consult your supplier.