

AirDrive 2.4 IP, 5-pin XLR

Product code: 50267

Preface

Thank you for purchasing this Showtec product.

The purpose of this user manual is to provide instructions for the correct and safe use of this product.

Keep the user manual for future reference as it is an integral part of the product. The user manual shall be stored at an easily accessible location.

This user manual contains information concerning:

- Safety instructions
- Intended and non-intended use of the device
- Installation and operation of the device
- Maintenance procedures
- Troubleshooting
- Transport, storage and disposal of the device

Non-observance of the instructions in this user manual may result in serious injuries and damage of property.

©2025 Showtec. All rights reserved.

No part of this document may be copied, published or otherwise reproduced without the prior written consent of Highlite International.

Design and product specifications are subject to change without prior notice.

For the latest version of this document or other language versions, please visit our website www.highlite.com or contact us at service@highlite.com.

Highlite International and its authorized service providers are not liable for any injury, damage, direct or indirect loss, consequential or economic loss or any other loss arising from the use of, or inability to use or reliance on the information contained in this document.

Highlite International B.V. – Vestastraat 2 – 6468 EX Kerkrade – the Netherlands

Table of contents

1. Introduction	3
1.1. Before Using the Product.....	3
1.2. Intended Use.....	3
1.3. Text Conventions.....	3
1.4. Symbols and Signal Words.....	4
1.5. Symbols on the Information Label.....	4
2. Safety	5
2.1. Warnings and Safety Instructions.....	5
2.2. Requirements for the User.....	7
3. Description of the Device	8
3.1. Front View.....	8
3.2. Back View.....	9
3.3. Top View.....	9
3.4. Product Specifications.....	10
3.5. Dimensions.....	11
3.6. Optional Accessories.....	11
4. Installation	12
4.1. Safety Instructions for Installation.....	12
4.2. Personal Protective Equipment.....	12
4.3. Installation Site Requirements.....	12
4.4. Mounting Options.....	13
4.4.1. Mounting with a Bracket.....	13
4.4.2. Mounting with Hook-and-loop Straps.....	14
4.5. Installing the Antenna.....	15
4.6. Line of Sight.....	16
4.7. Connecting to Power Supply.....	17
4.8. Power Linking of Multiple Devices.....	17
5. Setup and Operation	18
5.1. Warnings and Precautions.....	18
5.2. Setup Example.....	18
5.3. Setup as Signal Booster.....	19
5.4. Change the Transmitter/Receiver Mode.....	20
5.5. Connecting and Disconnecting Multiple Devices.....	20
5.6. Restore Factory Settings.....	20
5.7. DMX Connection.....	20
5.7.1. DMX-512 Protocol.....	20
5.7.2. DMX Cables.....	21
6. Troubleshooting	22
7. Maintenance	23
7.1. Safety Instructions for Maintenance.....	23
7.2. Preventive Maintenance.....	23
7.2.1. Basic Cleaning Instructions.....	23
7.3. Corrective Maintenance.....	24
7.3.1. Replacing the Fuse.....	24
8. Deinstallation, Transportation and Storage	25
8.1. Instructions for Deinstallation.....	25
8.2. Instructions for Transportation.....	25
8.3. Storage.....	25
9. Disposal	25
10. Approval	25

1. Introduction

1.1. Before Using the Product



Important

Read and follow the instructions in this user manual before installing, operating or servicing this product.

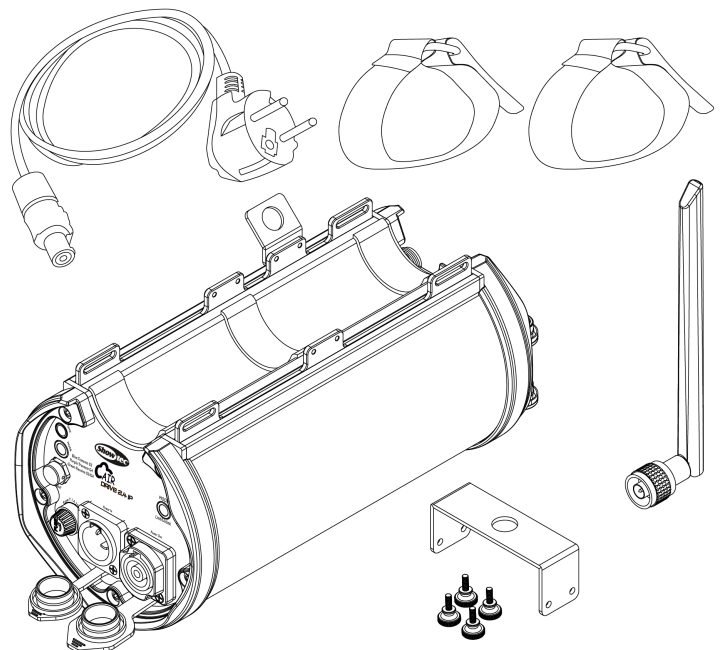
The manufacturer will not accept liability for any resulting damages caused by the non-observance of this manual.

After unpacking, check the contents of the box. If any parts are missing or damaged, contact your Highlite International dealer.

Your shipment includes:

- Showtec AirDrive 2.4 IP, 5-pin XLR
- Schuko to Power Pro True cable (1,5 m)
- Mounting bracket
- 4x thumbscrews
- 2x hook-and-loop straps
- Antenna
- User manual

Figure 1



1.2. Intended Use

This device is intended for professional use as a DMX-512 transceiver and booster/splitter. It can be installed indoors and outdoors. This device is not suitable for households.

Any other use, not mentioned under intended use, is regarded as non-intended and incorrect use.

1.3. Text Conventions

Throughout the user manual the following text conventions are used:

- Buttons: All buttons are in bold lettering, for example "Press the **UP/DOWN** buttons"
- References: References to parts of the device are in bold lettering, for example: "turn the **adjustment handle (05)**". References to chapters are hyperlinked
- 0–255: Defines a range of values
- Notes: **Note:** (in bold lettering) is followed by useful information or tips

1.4. Symbols and Signal Words

Safety notes and warnings are indicated throughout the user manual by safety signs.

Always follow the instructions provided in this user manual.

**DANGER**

Indicates an imminently hazardous situation which, if not avoided, will result in death or serious injury.

**WARNING**

Indicates a potentially hazardous situation which, if not avoided, could result in death or serious injury.

**CAUTION**

Indicates a potentially hazardous situation, which, if not avoided, may result in minor or moderate injury.

**Attention**

Indicates important information for the correct operation and use of the product.

**Important**

Read and observe the instructions in this document.

**Electrical hazard**

Provides important information about the disposal of this product.

1.5. Symbols on the Information Label

This product is provided with an information label. The information label is located on the side of the device.

The information label contains the following symbols:



This device shall not be treated as household waste.



Read and follow the instructions in the user manual before installing, operating or servicing the device.



This device falls under IEC protection class I.

2. Safety



Important
Read and follow the instructions in this user manual before installing, operating or servicing this product.

The manufacturer will not accept liability for any resulting damages caused by the non-observance of this manual.

2.1. Warnings and Safety Instructions



DANGER
Danger for children

For adult use only. The device must be installed beyond the reach of children.

- Do not leave any parts of the packaging (plastic bags, polystyrene foam, nails, etc.) within the reach of children. Packaging material is a potential source of danger for children.



DANGER
Electric shock caused by dangerous voltage inside

There are areas inside the device where dangerous touch voltage may be present.

- Do not open the device or remove any covers.
- Do not operate the device if the covers or the housing are open. Before operation, check if the housing is firmly closed and all screws are tightly fastened.
- Disconnect the device from the electrical power supply before service and maintenance, and when the device is not in use.



DANGER
Electric shock caused by short-circuit

This device falls under IEC protection Class I.

- Make sure that the device is electrically connected to ground (earth). Connect the device only to a socket-outlet with a ground (earth) connection.
- Do not cover the ground (earth) connection.
- Do not bypass the thermostatic switch or fuses.
- Replace fuses only with the same type and rating.
- Do not let the power cable come into contact with other cables. Handle the power cable and all connections with the mains with caution.
- Do not modify, bend, mechanically strain, put pressure on, pull or heat up the power cable.
- Make sure that the power cable is not crimped or damaged. Examine the power cable periodically for any defects.
- Do not immerse the device in water or other liquids. Do not install the device in a location where flooding may occur.
- Do not use the device during thunderstorms. Disconnect the device from the electrical power supply immediately.
- Keep the connectors sealed with the rubber caps when the connectors are not in use.
- Do not connect the cables from above the connectors, if the device is installed outdoors. Make a 'drip loop' in the cable so that rain water cannot enter the device.

**Attention
Power supply**

- Before connecting the device to the power supply, make sure that the current, voltage and frequency match the input voltage, current and frequency specified on the information label on the device.
- Make sure that the cross-sectional area of the extension cords and power cables is sufficient for the required power consumption of the device.

**Attention
General safety**

- Do not shake the device. Avoid brute force when installing or operating the device.
- If the device is dropped or struck, disconnect the device from the electrical power supply immediately.
- If the device is exposed to extreme temperature variations (e.g. after transportation), do not switch it on immediately. Let the device reach room temperature before switching it on, otherwise it may be damaged by the formed condensation.
- If the device fails to work properly, discontinue use immediately.

**Attention
For professional use only
This device must be used only for the purposes it is designed for.**

This device is designed to be used as a streaming pre-amplifier. Any incorrect use may lead to hazardous situations and result in injuries and material damage.

- This device is not suitable for households.
- This device does not contain user-serviceable parts. Unauthorized modifications to the device will render the warranty void. Such modifications may result in injuries and material damage.

**Attention
Before each use, examine the device visually for any defects.**

Make sure that:

- All screws used for installing the device or parts of the device are tightly fastened and are not corroded.
- There are no deformations on housings, fixings and installation points.
- The power cables are not damaged and do not show any material fatigue.

**Attention
Do not expose the device to conditions that exceed the rated IP class conditions.**

This device is IP65 rated. IP (Ingress Protection) 65 class means that the device is dust-tight and protected against harmful effect of water jets.

Keep the connectors sealed with the rubber caps when the connectors are not in use.

2.2. Requirements for the User

This product may be used by ordinary persons. Maintenance may be carried out by ordinary persons. Installation and service shall be carried out only by instructed or skilled persons. Contact your Highlite International dealer for more information.

Instructed persons have been instructed and trained by a skilled person, or are supervised by a skilled person, for specific tasks and work activities associated with the installation, service and maintenance of this product, so that they can identify risks and take precautions to avoid them.

Skilled persons have training or experience, which enables them to recognize risks and avoid hazards associated with the installation, service and maintenance of this product.

Ordinary persons are all persons other than instructed persons and skilled persons. Ordinary persons include not only users of the product but also any other persons that may have access to the device or who may be in the vicinity of the device.

3. Description of the Device

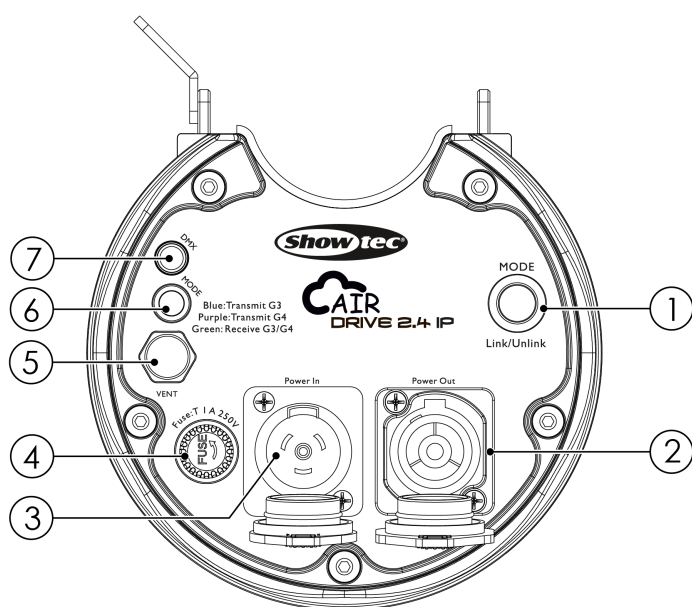
The Showtec AirDrive 2.4 IP, 5-pin XLR is a compact DMX-512 transceiver that can be switched between transmitter and receiver functionality. In transmitter mode, the device can transmit in G3 or G4 mode. In receiver mode, the device can receive in G3, G4 and G4S mode. A functional setup requires 1 unit set up as a transmitter and a minimum of 1 unit set up as a receiver.

The AirDrive 2.4 IP, 5-pin XLR has IP65-rated Power Pro True connectors and 5-pin DMX XLR connectors. It has 3 additional optically isolated DMX outputs that can be used as DMX splitters/boosters.

The AirDrive 2.4 IP, 5-pin XLR is compatible with the Showtec AirDrive 2.4 Pocket.

3.1. Front View

Figure 2



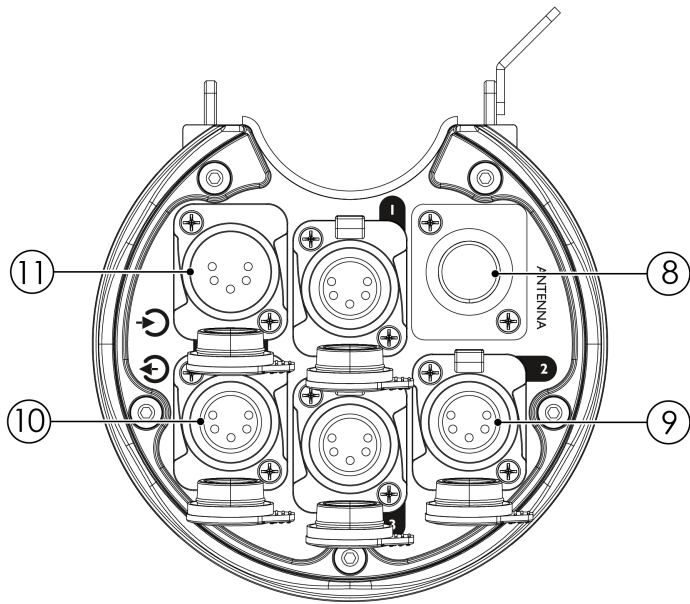
- 01) Mode button
- 02) IP65-rated Power Pro True connector OUT 100-240 V
- 03) IP65-rated Power Pro True connector IN 100-240 V
- 04) Fuse T 1 A, 250 V
- 05) Protective vent
- 06) Mode LED indicator
- 07) DMX LED indicator

The **mode LED indicator (06)** lights up in different colors to indicate the status of the device.

LED color	Device status
White	Device in receiver mode, receiver disconnected
Green (continuous)	Receiver connected, DMX present
Green (slow flashing)	Receiver connected, no DMX present
Green (fast flashing)	Linking to transmitter
Red (continuous)	Deleting connection
Red (fast flashing)	Connection from transmitter is lost
Blue (continuous)	Device in transmitter G3 mode (2,4 GHz), DMX present
Blue (slow flashing)	Device in transmitter G3 mode (2,4 GHz), no DMX present
Blue (fast flashing)	Disconnecting receivers
Purple (continuous)	Device in transmitter G4 mode (2,4 GHz), DMX present
Purple (slow flashing)	Device in transmitter G4 mode (2,4 GHz), no DMX present
Purple (fast flashing)	Disconnecting receivers

3.2. Back View

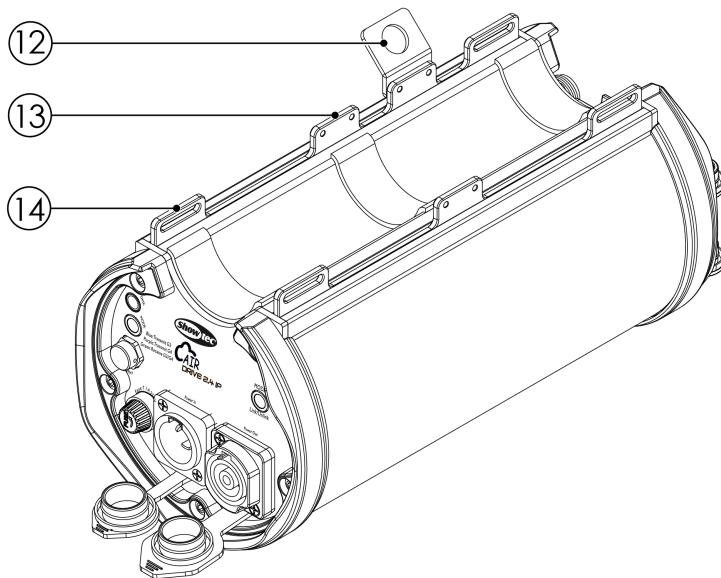
Figure 3



- 08) Antenna connector
- 09) 3x IP65-rated 5-pin DMX XLR connectors OUT (optically isolated)
- 10) IP65-rated 5-pin DMX XLR connector OUT
- 11) IP65-rated 5-pin DMX XLR connector IN

3.3. Top View

Figure 4



- 12) Safety eye
- 13) 4x openings for mounting bracket
- 14) 4x hook-and-loop slots

3.4. Product Specifications

Model:	AirDrive 2.4 IP, 5-pin XLR
--------	----------------------------

Control and programming:	
DMX channels	512
Protocols	DMX
Operational modes	Transceiver

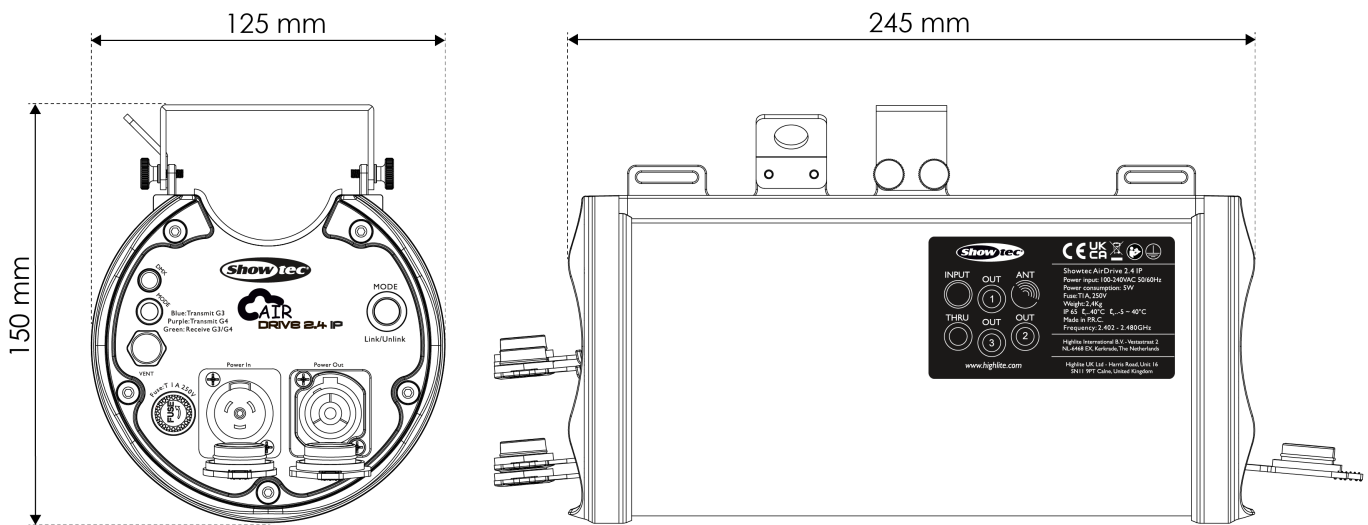
Electrical specifications and connections:	
Power supply	100–240 V AC 50/60 Hz
Power consumption	5 W
Power connector IN	Power Pro True
Power connector OUT	Power Pro True
DMX connector IN	XLR 5P
DMX connector OUT	XLR 5P

Mechanical specifications:	
Length	245 mm
Width	125 mm
Height	150 mm
Weight	2,45 kg
IP rating	IP65
Housing	Aluminum
Color	Black

Thermal specifications:	
Maximum ambient temperature	40 °C
Minimum ambient temperature	-5 °C

Wireless specifications:	
Wireless mode	G3 / G4s / CRMX
Reaction time	5 ms
Antenna boost	5 dBi
Antenna type	Omni
Antenna radiation	360 x 180°

3.5. Dimensions

Figure 5


3.6. Optional Accessories

You can additionally purchase antennas which can enhance the connectivity range. The following products are available:

- [50117](#) Outdoor Mini Antenna 2,4 GHz, 2 dBi
- [50118](#) Indoor Omni Antenna 2,4 GHz, 3 dBi
- [50119](#) Indoor Omni Antenna 2,4 GHz, 6 dBi
- [50120](#) Outdoor Omni Antenna 2,4 GHz, 8 dBi

Contact your Highlite International dealer for more information.

4. Installation

4.1. Safety Instructions for Installation

**WARNING**

Incorrect installation can cause serious injuries and damage of property.

If trussing systems are used, installation must be carried out only by instructed or skilled persons.

Follow all applicable European, national and local safety regulations concerning rigging and trussing.

4.2. Personal Protective Equipment

During installation, deinstallation and rigging wear personal protective equipment in compliance with the national and site-specific regulations.

4.3. Installation Site Requirements

- The device can be used indoors and outdoors.
- The ambient temperature must be in the range -5 and 40 °C.
- The relative humidity must not exceed 50 % with an ambient temperature of 40 °C.

4.4. Mounting Options

The device can be mounted to a truss or other rigging structure in any orientation. It can be mounted using a clamp or the included hook-and-loop straps. Make sure that all loads are within the pre-determined limits of the supporting structure.



CAUTION

Restrict the access under the work area during rigging/derigging.

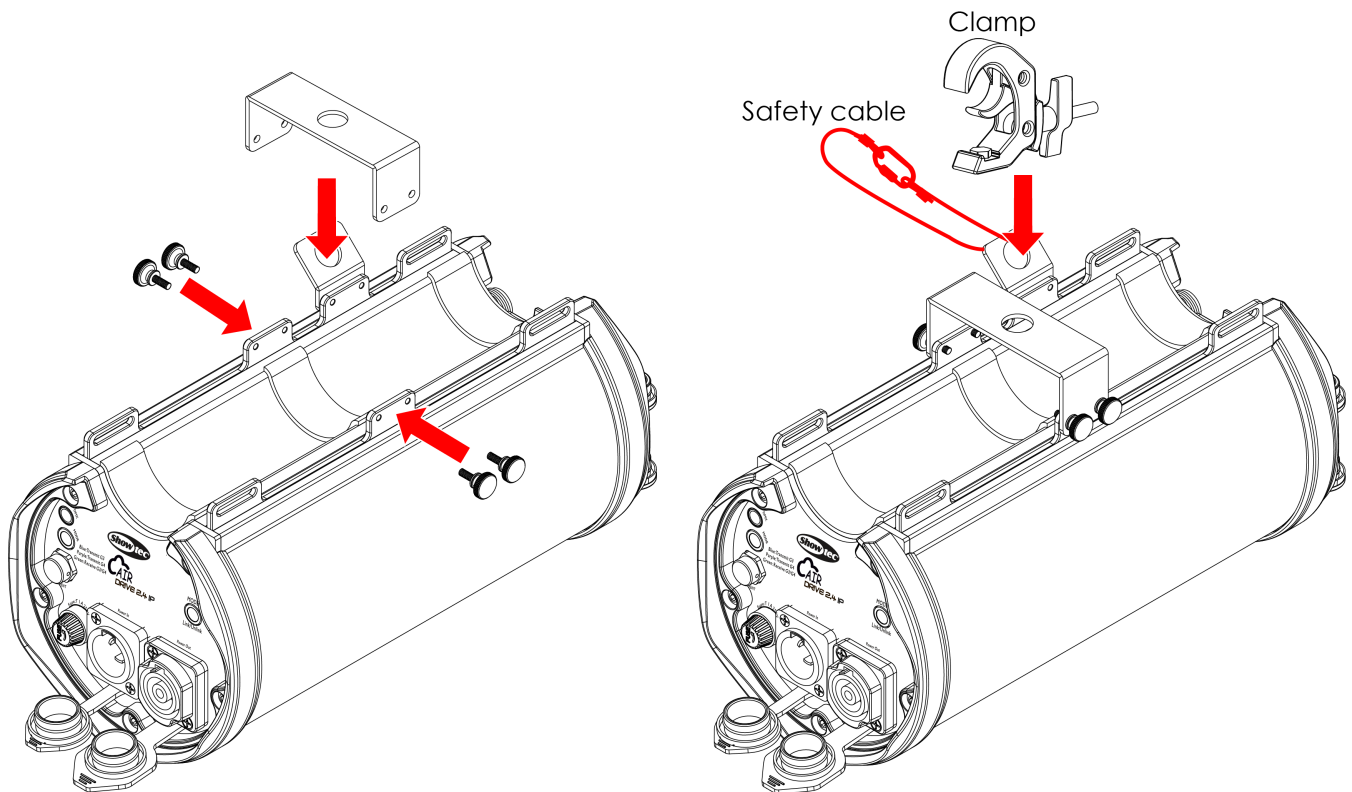
4.4.1. Mounting with a Bracket

You can mount the device to a rigging structure with the supplied mounting bracket and 4 thumbscrews.

To mount the device, follow the steps below:

- 01) Use the 4 thumbscrews to attach the mounting bracket to the 4 **openings for mounting bracket (13)**.
- 02) Install the clamp. Make sure that you use a clamp suitable for attaching the device to a truss.

Figure 6



- 03) Attach the device to the supporting structure. Make sure that the device cannot move freely.
- 04) Secure the device with a secondary suspension, for example a safety cable. Make sure that the secondary suspension can hold 10 times the weight of the device. If possible, the secondary suspension should be attached to a supporting structure independent of the primary suspension. Put the safety cable through the **safety eye (12)**.

4.4.2. Mounting with Hook-and-loop Straps

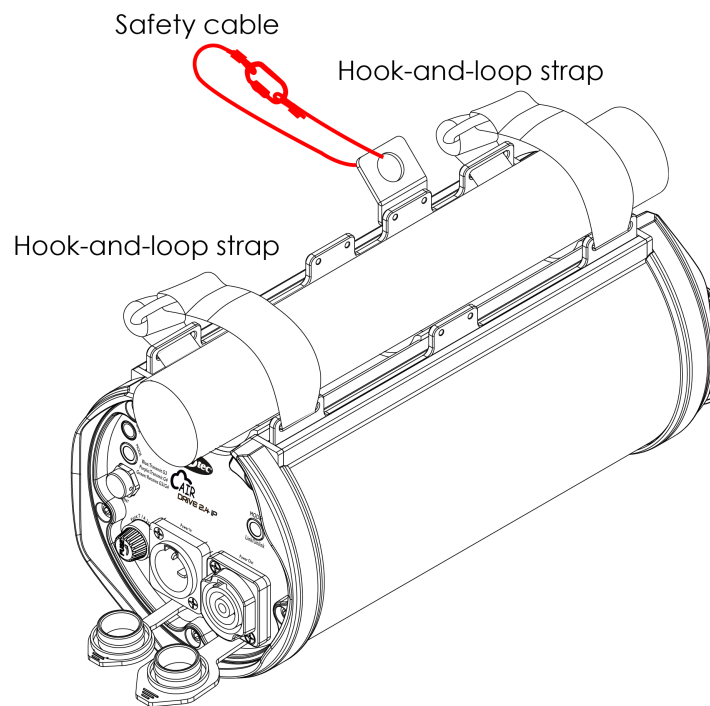
You can mount the device to a tube (max. Ø 50 mm) with the supplied 2 hook-and-loop straps.

At least 2 persons are necessary to mount the device.

To mount the device, follow the steps below:

- 01) Thread the hook-and-loop straps through the **hook-and-loop slots (14)** to attach the device to the pipe structure. Make sure that the device cannot move freely.
- 02) Secure the device with a secondary suspension, for example a safety cable. Make sure that the secondary suspension can hold 10 times the weight of the device. If possible, the secondary suspension should be attached to a supporting structure independent of the primary suspension. Put the safety cable through the **safety eye (12)**.

Figure 7



4.5. Installing the Antenna

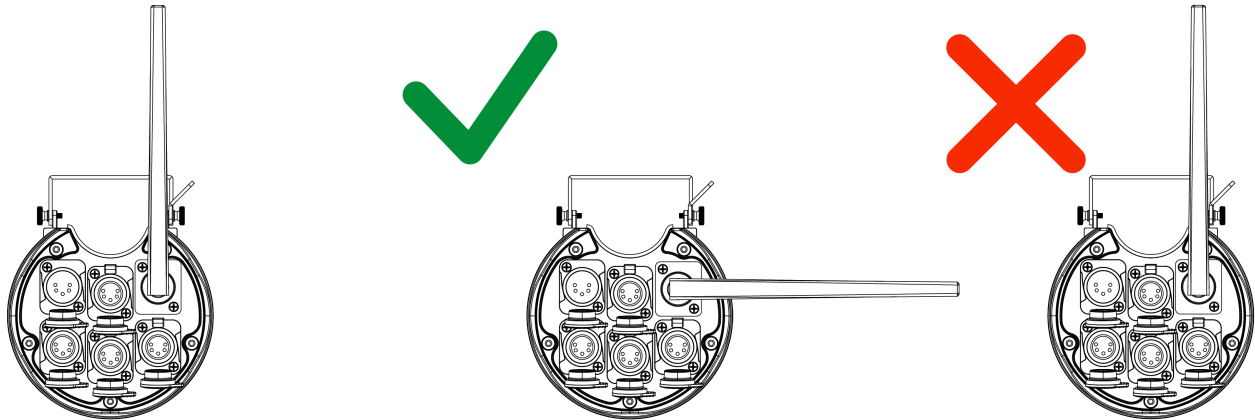
The device is delivered with 1 antenna. Other antennas are optionally available (see [3.6. Optional Accessories](#) on page 11).

To install the antenna, follow the steps below:

- 01) Insert the antenna into the **antenna connector (08)**.
- 02) Swivel the antenna into the upright position.

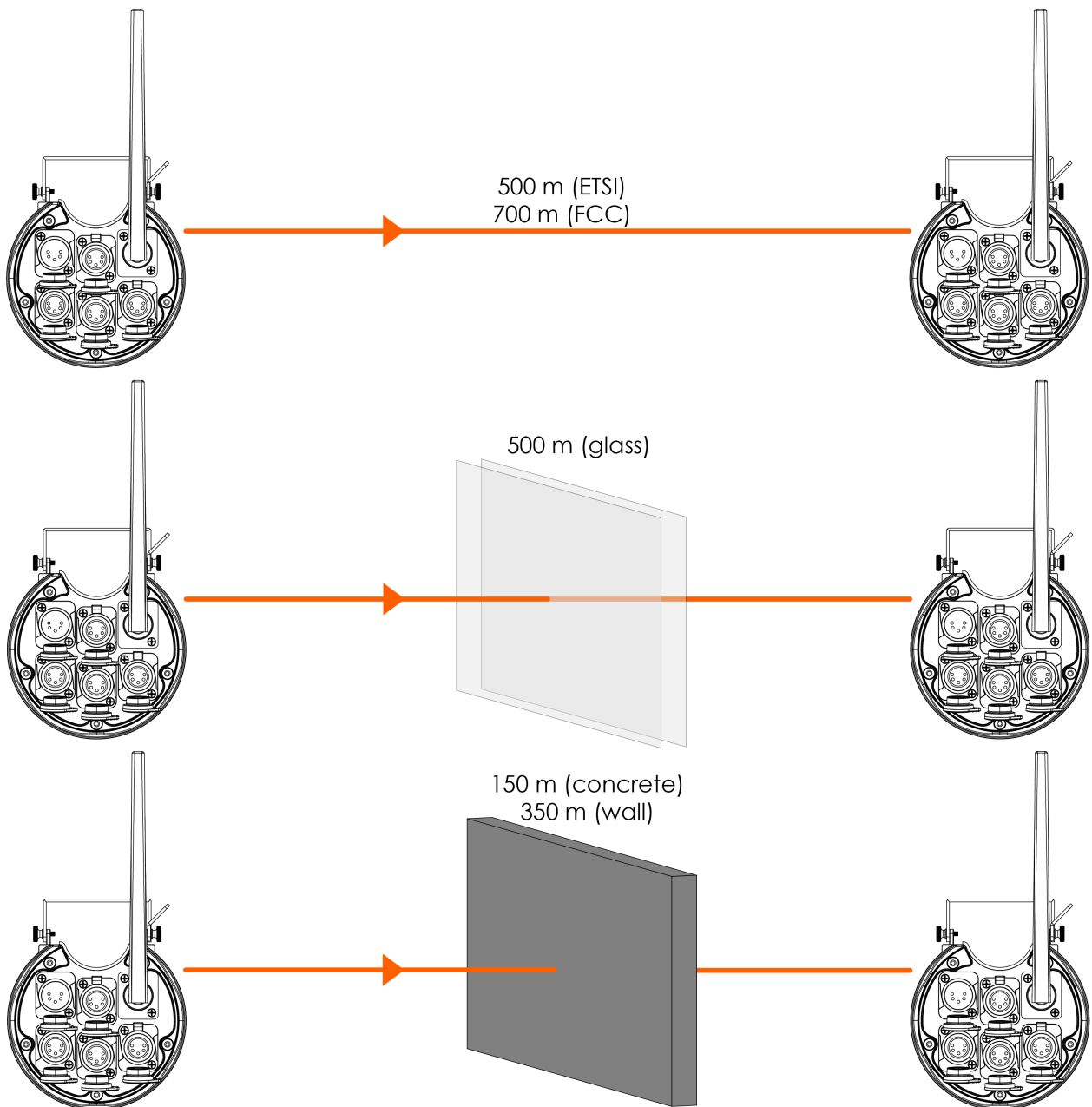
Note:

For a good reception, it is important that all antennas point in the same direction, upwards or sideways.



4.6. Line of Sight

There are limitations to how wireless waves transmit through air. Physical barriers like glass or walls limit the transmission range. It is important to always have a clear line of sight between transmitters and receivers.



4.7. Connecting to Power Supply



DANGER
Electric shock caused by short-circuit

The device accepts AC mains power at 100–240 V and 50/60 Hz. Do not supply power at any other voltage or frequency to the device.

This device falls under IEC protection class I. Make sure that the device is always electrically connected to the ground (earth).

Before connecting the device to the socket-outlet:

- Make sure that the power supply matches the input voltage specified on the information label on the device.
- Make sure that the socket-outlet has ground (earth) connection.

Connect the device to the socket-outlet with the power plug.

This device is IP65 rated.

- Do not expose the device to conditions that exceed the rated IP class conditions.
- Keep the connectors sealed with the rubber caps when the connectors are not in use.
- Do not connect the cables from above the connectors, if the device is installed outdoors. Make a 'drip loop' in the cable so that rain water cannot enter the device.
- Make sure that the cable run is not too heavy. A heavy cable run can cause damage to the connectors. If the connectors are damaged, their ingress protection (IP) can deteriorate.

4.8. Power Linking of Multiple Devices

This device supports power linking. Power can be relayed to another device via the power OUT connector. Note that the input and the output connectors have different designs: one type cannot be connected to the other.

Power linking of multiple devices must be carried out only by instructed or skilled persons.



WARNING
Incorrect power linking may lead to overload of the electrical circuit and result in serious injuries and damage of property.

To prevent overload of the electrical circuit, when power linking multiple devices:

- Use cables with sufficient current-carrying capacity. The power cable supplied with the device is not suitable for power linking of multiple devices.
- Make sure that the total current draw of the device and all connected devices does not exceed the rated capacity of the power cables and the circuit breaker.
- Do not link more devices on one power link than the maximum recommended number.

The maximum recommended number of devices depends on the total load of all connected fixtures and AirDrive 2.4 IP, 5-pin XLR devices. The total load shall not exceed 10 A (2300 W).

5. Setup and Operation

5.1. Warnings and Precautions



DANGER
Electric shock caused by short-circuit

This device is IP65 rated.

- Do not expose the device to conditions that exceed the rated IP class conditions.
- Keep the connectors sealed with the rubber caps when the connectors are not in use.
- Do not connect the cables from above the connectors, if the device is installed outdoors. Make a 'drip loop' in the cable so that rain water cannot enter the device.
- Make sure that the cable run is not too heavy. A heavy cable run can cause damage to the connectors. If the connectors are damaged, their ingress protection (IP) can deteriorate.

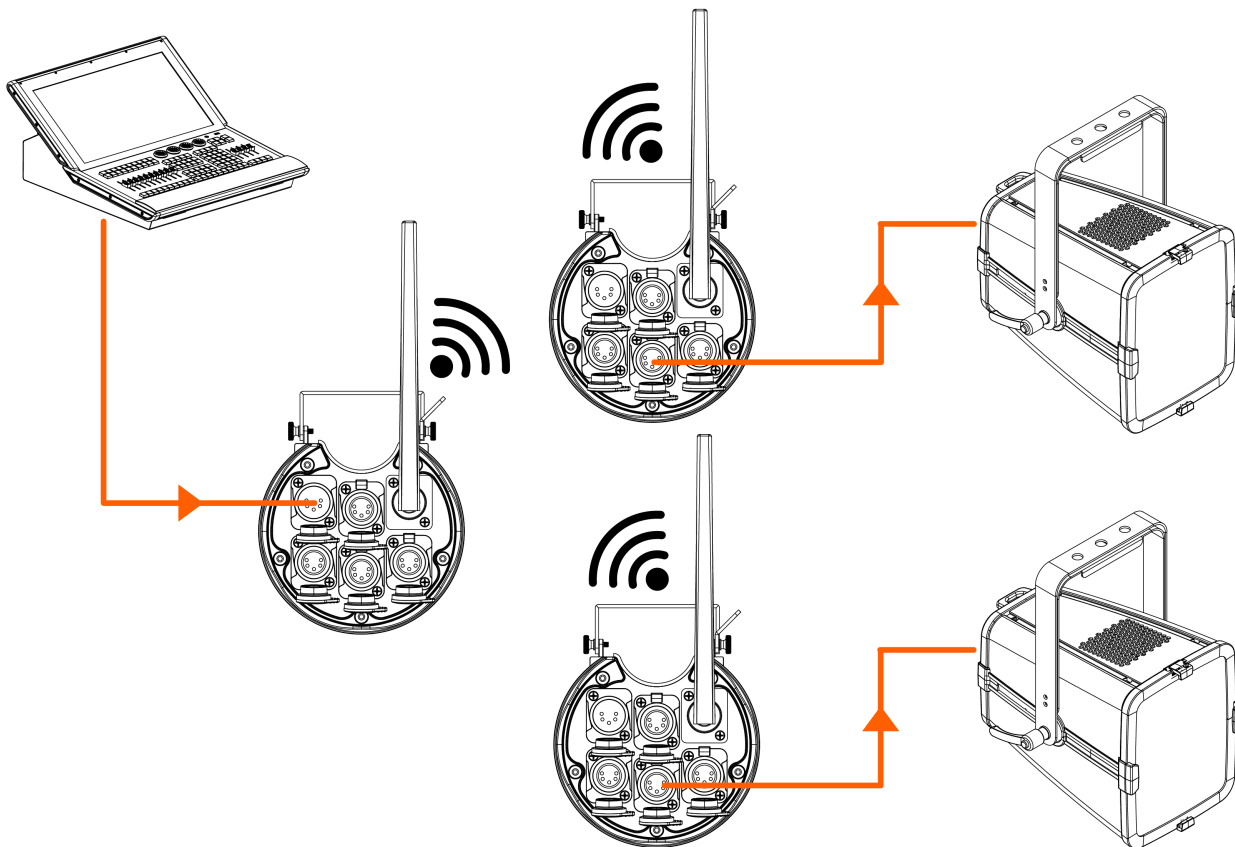


Attention
Connect all data cables before supplying power.
Disconnect power supply before connecting or disconnecting data cables.

5.2. Setup Example

The AirDrive 2.4 IP, 5-pin XLR can be used in various setups. At least 2 devices are required: 1 to be used as a transmitter and 1 to be used as a receiver.

Figure 8



To wirelessly connect 1 or more devices, follow the steps below:

- 01) Set up an AirDrive 2.4 IP, 5-pin XLR as a transmitter (see [5.4. Change the Transmitter/Receiver Mode](#) on page 20).
- 02) Connect a controller device to the **DMX XLR connector IN (11)** of the transmitter.
- 03) Set up 1 or more devices as a receiver.
- 04) Set the receiver devices to the same wireless group as the transmitter device.
- 05) Connect the **DMX XLR connector OUT (10)** or one of the optically isolated **DMX XLR connectors OUT (09)** of the receivers to output devices.

The signal from the transmitter device is now sent to the receiver devices.

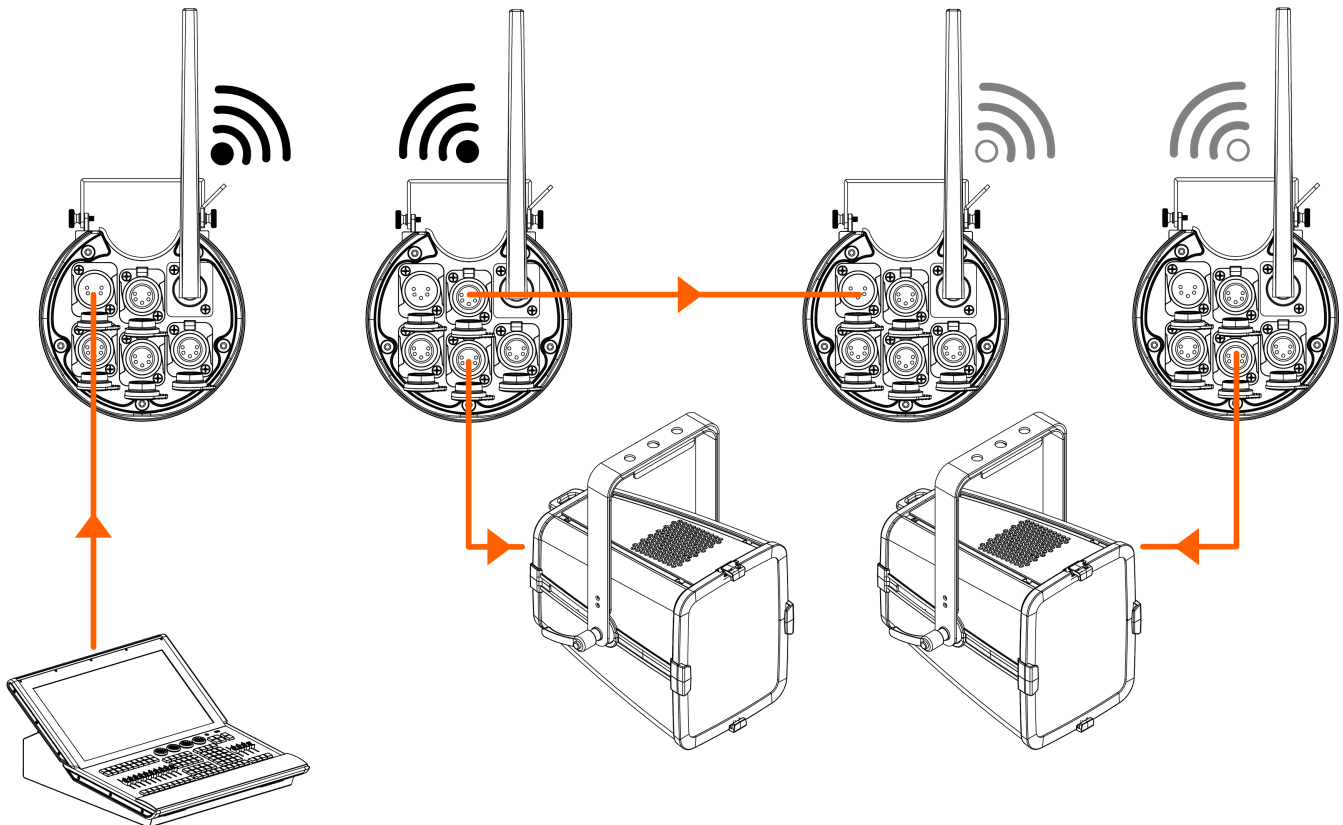
Note:

The AirDrive 2.4 IP, 5-pin XLR has 4 DMX XLR connectors out. The standard **DMX XLR connector OUT (10)** is not optically isolated. The 3 **DMX XLR connectors OUT (09)** are optically isolated. It is recommended to use an optically isolated output when using an AirDrive 2.4 IP, 5-pin XLR as a receiver.

5.3. Setup as Signal Booster

The AirDrive 2.4 IP, 5-pin XLR can be used as a signal booster to boost the signal across larger distances.

Figure 9



To use an AirDrive 2.4 IP, 5-pin XLR as a signal booster, follow the steps below:

- 01) Set up a 1st group of devices with transmitters and receivers (see [5.2. Setup Example](#) on page 18).
- 02) Set up a new device as a transmitter (see [5.4. Change the Transmitter/Receiver Mode](#) on page 20).
- 03) Set the device to a different wireless group.
- 04) Connect one of the **DMX XLR connectors OUT (09)** of a receiver device in the 1st wireless group to the **DMX XLR connector IN (11)** of the new transmitter device.
- 05) Set up 1 or more more devices as receivers and connect them to the 2nd wireless group.
- 06) Connect the **DMX XLR connectors OUT (09)** of the receivers in the 2nd group to output devices.

The signal from the first group of devices is now repeated by the 2nd transmitter to the remaining receivers.

5.4. Change the Transmitter/Receiver Mode

The AirDrive 2.4 IP, 5-pin XLR has a set-up mode and a use mode. In the set-up mode, the transmission protocol of the device can be changed. In the use mode, the connection between devices can be set up.

To change the transmission protocol, follow the steps below:

- 01) Press and hold the **mode button (01)** until the **mode LED indicator (06)** lights up white.
- 02) Release the **mode button (01)** when the **mode LED indicator (06)** lights up white. The AirDrive 2.4 IP, 5-pin XLR is now in set-up mode.
- 03) Press the **mode button (01)** to cycle through the 3 transmission protocols:
 - Green: W-DMX Receive mode
 - Blue: W-DMX G3 Transmit mode
 - Purple: W-DMX G4 Transmit mode
- 04) When you have selected the right mode, press and hold the **mode button (01)** until the **mode LED indicator (06)** lights up white. The device is now in use mode.

Note:

The AirDrive 2.4 IP, 5-pin XLR remembers the selection even after shutting down the device or disconnecting the power supply.

5.5. Connecting and Disconnecting Multiple Devices

In the G3 or G4 Transmit mode, the AirDrive 2.4 IP, 5-pin XLR that is used as a transmitter, can be connected to all active receivers within range that are not yet connected:

Press the **mode button (01)** on the transmitter to connect it to all powered receivers that are within range. The **mode LED indicator (06)** starts flashing fast to indicate the connecting procedure. The **mode LED indicator (06)** stops flashing once the devices are connected.

To disconnect all receivers that are connected to a transmitter device:

Press and hold the **mode button (01)** on the transmitter until the **mode LED indicator (06)** flashes red (at least 3 seconds). All active receivers within range are disconnected.

5.6. Restore Factory Settings

To restore the device to the factory settings, follow the steps below:

- 01) Press and hold the **mode button (01)** until the **mode LED indicator (06)** flashes blue.
- 02) When the **mode LED indicator (06)** flashes blue, release the **mode button (01)**. The **mode LED indicator (06)** flashes red, green and blue and then lights up red to confirm that the factory settings are restored.

5.7. DMX Connection

5.7.1. DMX-512 Protocol

The AirDrive 2.4 IP, 5-pin XLR has 5-pin DMX signal IN and OUT connectors.

The pin assignment is as follows: pin 1 (ground), pin 2 (-), pin 3 (+).

Devices on a serial data link must be daisy-chained in a single line. The number of devices that you can control on one data link is limited by the combined number of the DMX channels of the connected devices and the 512 channels available in one DMX universe.

To comply with the TIA-485 standard, no more than 32 devices should be connected on one data link. In order to connect more than 32 devices on one data link, you must use a DMX optically isolated splitter/booster, otherwise this may result in deterioration of the DMX signal.

Note:

- Maximum recommended DMX data link distance: 300 m
- Maximum recommended number of devices on a DMX data link: 32 devices

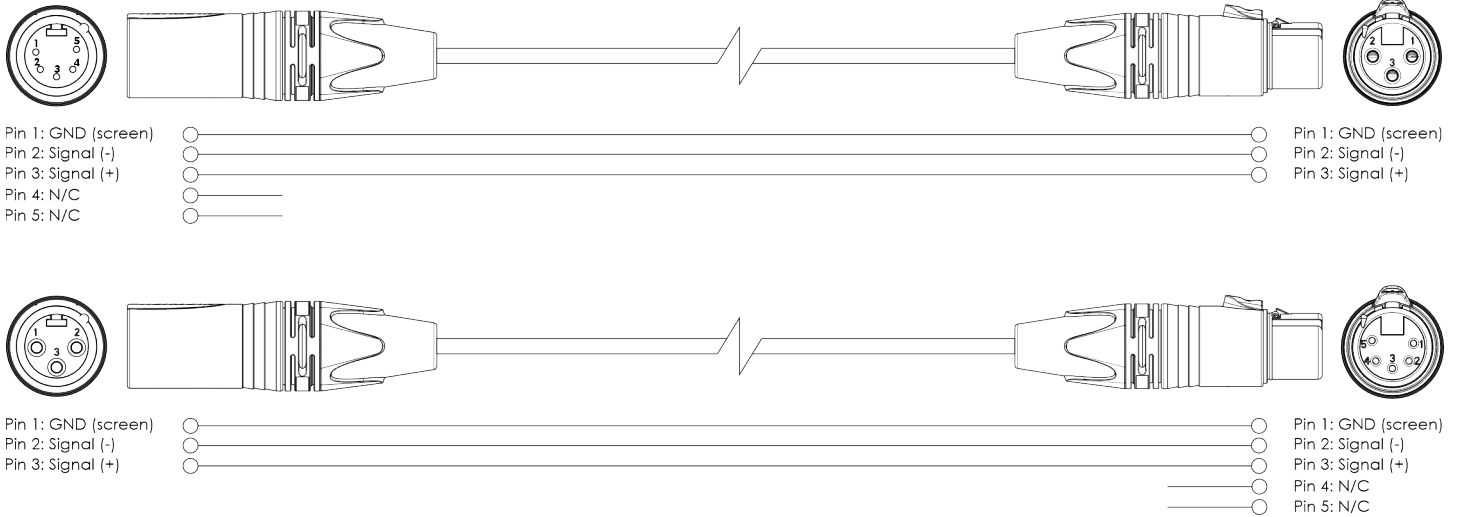
5.7.2. DMX Cables

Shielded twisted-pair cables with 5-pin XLR connectors must be used for reliable DMX connection. You can purchase DMX cables directly from your Highlite International dealer or make your own cables.

If you use XLR audio cables for DMX data transmission, this may lead to signal degradation and unreliable operation of the DMX network.

When you make your own DMX cables, make sure that you connect the pins and wires correctly as shown in the figure below.

Figure 10



6. Troubleshooting

This troubleshooting guide contains solutions to problems which can be carried out by an ordinary person. The device does not contain user-serviceable parts.

Unauthorized modifications to the device will render the warranty void. Such modifications may result in injuries and material damage.

Refer servicing to instructed or skilled persons. Contact your Highlite International dealer in case the solution is not described in the table.

Problem	Probable cause(s)	Solution
The device does not function at all	No power to the device	<ul style="list-style-type: none"> Make sure that the device is connected to power supply and the cables are plugged in
	The main fuse is blown	<ul style="list-style-type: none"> Replace the fuse (see 7.3.1. Replacing the Fuse on page 24)
The device responds erratically	The factory settings of the device are changed	<ul style="list-style-type: none"> Reset the parameters of the device to the default factory settings (see 5.6. Restore Factory Settings on page 20)
The device does not respond to DMX control	The controller is not connected	<ul style="list-style-type: none"> Connect the controller
	The signal is reversed. The 5-pin DMX OUT of the controller does not match the DMX IN of the device	<ul style="list-style-type: none"> Install a phase-reversing cable between the controller and the device
	The controller is defective	<ul style="list-style-type: none"> Try using another controller
	The transmitter/receiver is not set up correctly	<ul style="list-style-type: none"> Make sure that all devices are set to the correct mode (see 5.4. Change the Transmitter/Receiver Mode on page 20)
The device responds erratically to DMX control	Connections are defective	<ul style="list-style-type: none"> Examine connections and cables. Correct defective connections. Repair or replace damaged cables
	The data link is not terminated with a 120 Ω termination plug	<ul style="list-style-type: none"> Insert a termination plug in the DMX OUT connector of the last device on the link
	Incorrect addressing	<ul style="list-style-type: none"> Make sure that the address settings are correct
	In case of a setup with multiple devices, one of the devices is defective and disturbs data transmission on the link	<ul style="list-style-type: none"> To find out the defective device, bypass 1 device at a time until normal operation is restored
The connected fixtures do not function	The fixtures are incompatible	<ul style="list-style-type: none"> Disconnect the fixtures and check their compatibility
	The fixtures are defective	<ul style="list-style-type: none"> Try using different fixtures
The device does not respond to DMX control	The controller is not connected	<ul style="list-style-type: none"> Connect the controller
	The signal is reversed. The 5-pin DMX OUT of the controller does not match the DMX IN of the device	<ul style="list-style-type: none"> Install a phase-reversing cable between the controller and the device

7. Maintenance

7.1. Safety Instructions for Maintenance



DANGER
Electric shock caused by dangerous voltage inside

Disconnect power supply before servicing or cleaning.

7.2. Preventive Maintenance



Attention
Before use, examine the device visually for any defects.

Make sure that:

- All screws used for installing the device or parts of the device are tightly fastened and are not corroded.
- The safety devices are not damaged.
- There are no deformations on housings, fixings and installation points.
- The power cables are not damaged and do not show any material fatigue.

7.2.1. Basic Cleaning Instructions

To clean the device, follow the steps below:

- 01) Disconnect the device from the electrical power supply.
- 02) Allow the device to cool down for at least 5 minutes.
- 03) Clean the device with a soft, lint-free cloth.



Attention

- Do not immerse the device in liquid.
- Do not use alcohol or solvents.

7.3. Corrective Maintenance

The device does not contain user-serviceable parts. Do not open the device and do not modify the device.

Refer repairs and servicing to instructed or skilled persons. Contact your Highlite International dealer for more information.

7.3.1. Replacing the Fuse



DANGER
Electric shock caused by short-circuit

- Do not bypass the thermostatic switch or fuses.
- Replace fuses only with the same type and rating.

Power surges, short-circuit or incorrect electrical power supply may cause a fuse to burn out. If the fuse burns out, the device will not function anymore. If this happens, follow the steps below:

- 01) Disconnect the device from the electrical power supply.
- 02) Allow the device to cool down for at least 15 minutes.
- 03) Loosen the fuse cover manually and remove the fuse holder.
- 04) If the fuse is brown or unclear, it is burned out. Remove the old fuse.
- 05) Insert a new fuse in the fuse holder. Make sure that the type and the rating of the replacement fuse are the same as the ones specified on the information label of the product.
- 06) Replace the fuse holder in the opening and tighten the fuse cover.

8. Deinstallation, Transportation and Storage

8.1. Instructions for Deinstallation



WARNING

Incorrect deinstallation can cause serious injuries and damage of property.

- Let the device cool down before dismantling.
- Disconnect power supply before deinstallation.
- Always observe the national and site-specific regulations during deinstallation and derigging of the device.
- Wear personal protective equipment in compliance with the national and site-specific regulations.

8.2. Instructions for Transportation

- Use the original packaging to transport the device, if possible.
- Always observe the handling instructions printed on the outer carton box, for example: "Handle with care", "This side up", "Fragile".

8.3. Storage

- Clean the device before storing (see [7.2.1. Basic Cleaning Instructions](#) on page 23).
- Store the device in the original packaging, if possible.

9. Disposal

Correct disposal of this product



Waste Electrical and Electronic Equipment

This symbol on the product, its packaging or documents indicates that the product shall not be treated as household waste. Dispose of this product by handing it to the respective collection point for recycling of electrical and electronic equipment. This is to avoid environmental damage or personal injury due to uncontrolled waste disposal. For more detailed information about recycling of this product contact the local authorities or the authorized dealer.

10. Approval



Hereby, Highlite International declares that the device AirDrive 2.4 IP, 5-pin XLR, product code 50267, is in compliance with Directive 2014/53/EU (RED – Radio Equipment Directive).

The full text of the EU declaration of conformity is available on the respective product page on the website of Highlite International (www.highlite.com).

