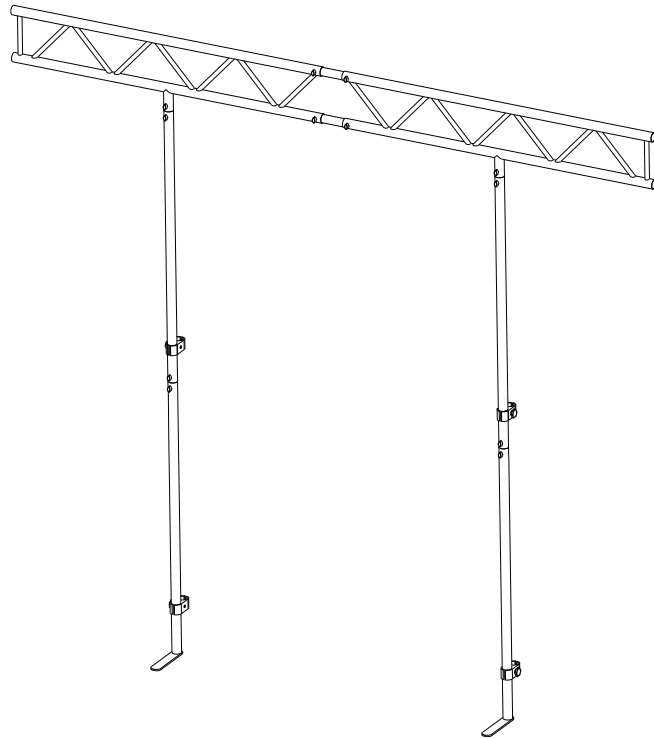
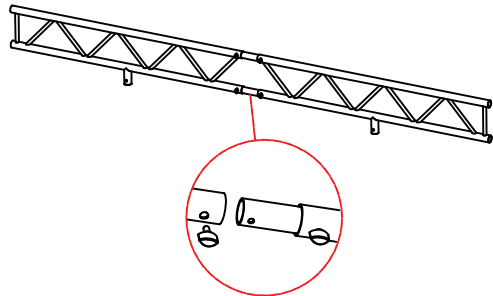


User Manual

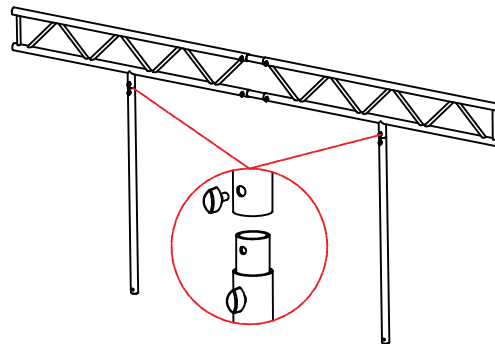


1



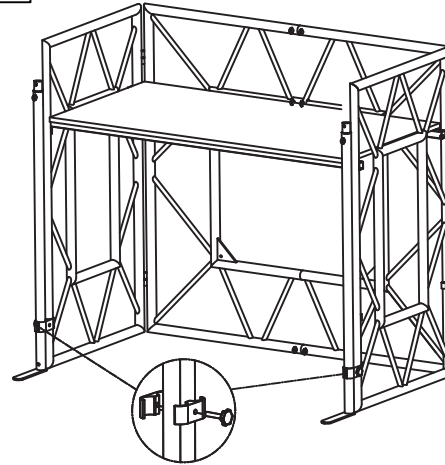
Connect the T-bar sections using (2) center tube inserts and tighten the wing bolts on each end of the inserts.

2



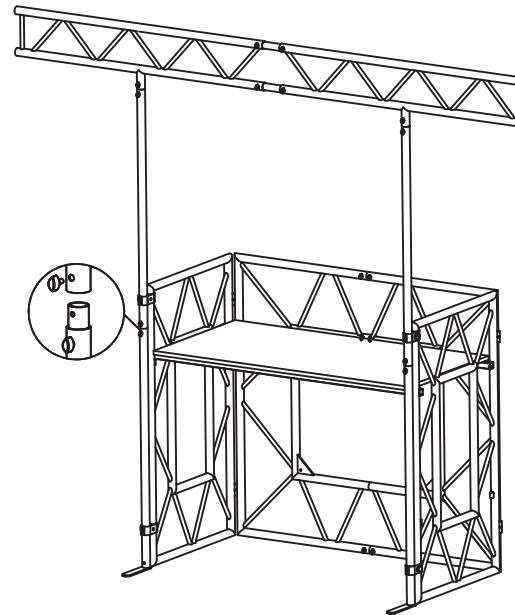
Connect the upper leg sections to the T-bar assembly and tighten the wing bolts. Set aside.

3



Connect the lower leg sections to the booth with (1) clamp per side using long bolts, as shown above.

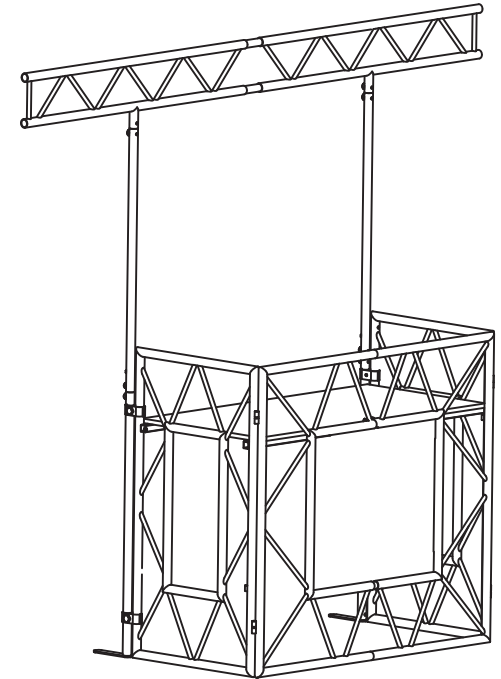
4



DJ booth in the bottom is only for demo

Insert (2) fitting tubes into the top of the lower leg sections, and mount the T-bar assembly. Tighten all wing bolts. Connect the bottom of fitting tubes with the booth with (1) clamp per side using long bolts, as shown above, tighten all long bolts

5



DJ booth in the bottom is only for demo

The lighting bar is now assembled. You can proceed with hanging lighting fixtures. The maximum load capacity for this bar is 80lbs of evenly distributed weight (i.e. do not hang all the lights on one side). We recommend using the bottom truss bar to hang lights.

80LBS MAX LOAD



ATTENTION!

Hang moving heads upside down from the bottom bar only. Do not attach moving heads to the top bar.