



**THE BEST SUPPORT
FOR YOUR AV & IT HARDWARE**
T: + 31(0)23-5478888 | E: info@newstar.eu | W: www.newstar.eu

FPMA-WP440BLACK NEWSTAR FLAT SCREEN POLE MOUNT

Newstar Monitor Mount for mounting on poles (diameter 35-60 mm) for single 23"-52" Screen - Black



The NewStar pole mount, model FPMA-WP440BLACK is a tilt-, swivel and rotatable pole mount for flat screens up to 52" (132 cm).

Ideal to mount screens up to 52" (132 cm) to any pole with a diameter between 30 and 50mm. This mount is a great choice when you want the ultimate viewing flexibility with your flat screen. Effortless position the display in almost any direction.

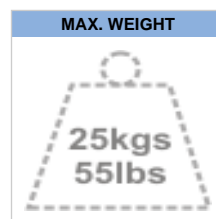
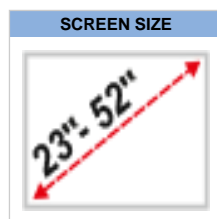
NewStars' tilt- (180°), rotate (360°) and swivel (180°) technology allows the mount to change to any viewing angle to fully benefit from the capabilities of the flat screen. Depth of this mount is 14 centimetres. Cable management conceals and routes cables from mount to flat screen. Hide your cables to keep living room, bedroom or home cinema installation nice and tidy.

NewStar FPMA-WP440BLACK has two pivot points and is suitable for screens up to 52" (132 cm). The weight capacity of this product is 20 kg each screen. The wall mount is suitable for screens that meet VESA hole pattern 75x75 and 400x400mm. Different hole patterns can be covered using NewStar VESA adapter plates.

Create a clean design ambiance for your flat screen TV in the living room, bedroom or home cinema.

SPECIFICATIONS

Screens	1
Screen size	23 - 52"
Max. weight	25
VESA minimum	75x75 mm
VESA maximum	400x400 mm
Depth	14 cm
Width	3 - 5 cm (diameter pole)
Tilt	180°
Rotation	360°
Swivel	180°
Color	Black
Warranty	5 year
EAN code	8717371446505



NewStar Products Europe B.V.
Wateringweg 62/B
2031 EJ HAARLEM
THE NETHERLANDS

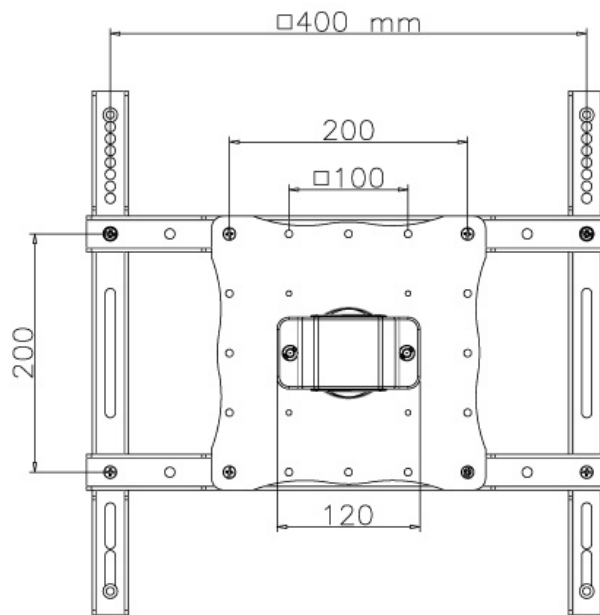
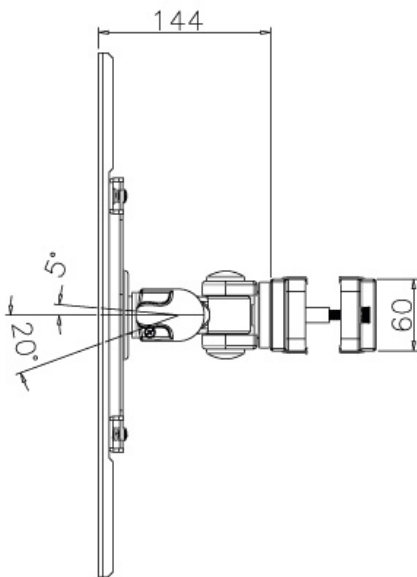
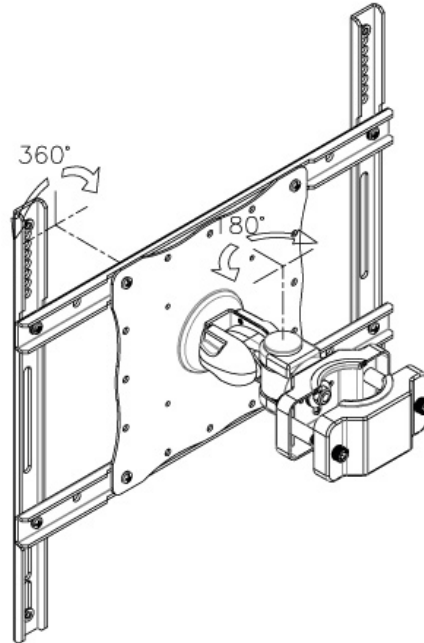
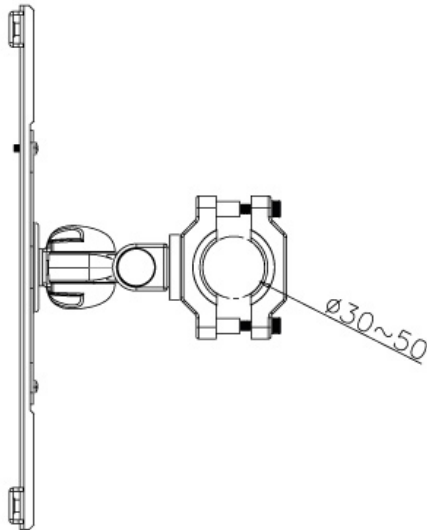
Phone : +31(0)23-5478888
Fax : +31(0)23-5478889
Email : info@newstar.nl
Website : www.newstar.eu

NewStar cannot be held liable for any inaccuracies and copyrights.
No part of this publication may be reproduced and/or published by print, photocopy, microfilm or in any other way, without prior written permission of
NewStar Computer Products Europe BV.



**THE BEST SUPPORT
FOR YOUR AV & IT HARDWARE**
T: + 31(0)23-5478888 | E: info@newstar.eu | W: www.newstar.eu

FPMA-WP440BLACK NEWSTAR FLAT SCREEN POLE MOUNT



NewStar Products Europe B.V.
Wateringweg 62/B
2031 EJ HAARLEM
THE NETHERLANDS

Phone : +31(0)23-5478888
Fax : +31(0)23-5478889
Email : info@newstar.nl
Website : www.newstar.eu

NewStar cannot be held liable for any inaccuracies and copyrights.
No part of this publication may be reproduced and/or published by print, photocopy, microfilm or in any other way, without prior written permission of NewStar Computer Products Europe BV.