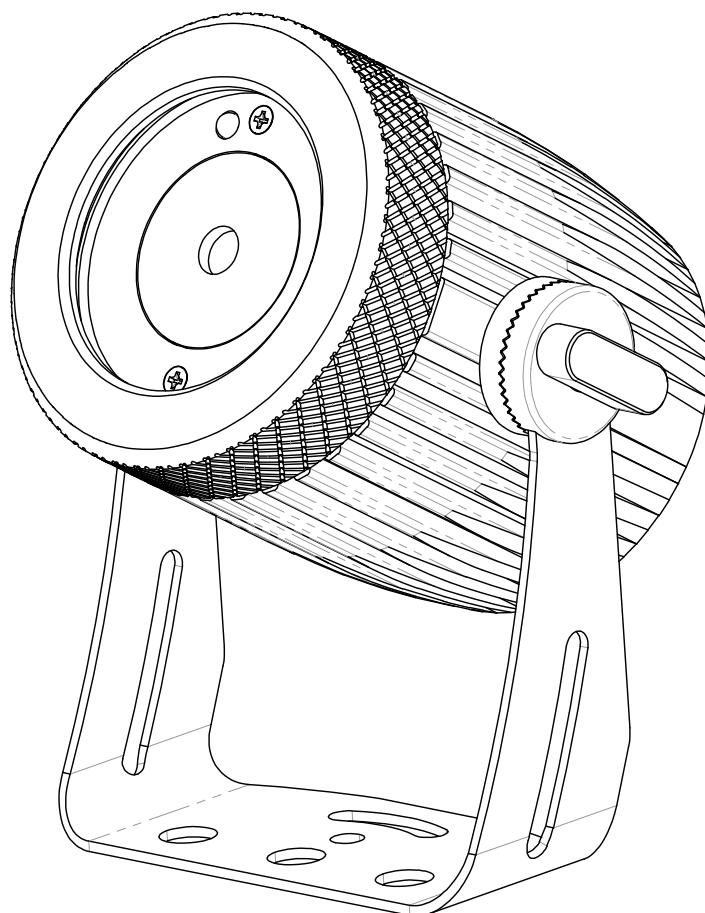


EZ-SPOT15 OUTDOOR

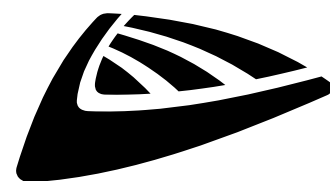


ENGLISH Operation Manual

Other languages can be downloaded from:
WWW.JB-SYSTEMS.EU



Version: 1.0



JB SYSTEMS



EN - DISPOSAL OF THE DEVICE

Dispose of the unit and used batteries in an environment friendly manner according to your country regulations.

FR - DÉCLASSER L'APPAREIL

Débarrassez-vous de l'appareil et des piles usagées de manière écologique Conformément aux dispositions légales de votre pays.

NL - VERWIJDEREN VAN HET APPARAAT

Verwijder het toestel en de gebruikte batterijen op een milieuvriendelijke manier conform de in uw land geldende voorschriften.

DU - ENTSORGUNG DES GERÄTS

Entsorgen Sie das Gerät und die Batterien auf umweltfreundliche Art und Weise gemäß den Vorschriften Ihres Landes.

ES - DESHACERSE DEL APARATO

Reciclar el aparato y pilas usadas de forma ecologica conforme a las disposiciones legales de su país.

PT - COMO DESFAZER-SE DA UNIDADE

Tente reciclar a unidade e as pilhas usadas respeitando o ambiente e em conformidade com as normas vigentes no seu país.

OPERATION MANUAL

Thank you for buying this JB Systems® product. To take full advantage of all possibilities and for your own safety, please read these operating instructions very carefully before you start using this unit.

FEATURES

- Compact, waterproof LED projector.
- 15W RGBW LED
- 10° lens
- It's an easy "plug and play" projector that can be used for many outdoor applications (perfect to light up trees in gardens, driveways,...)
- 16 fixed colors (with dimming)
- "Fade" – "Smooth" and "Flash" chases (with speed control)
- Strobe function (with speed control)
- Easy IR-Remote Controller IR-3
- Groundpin for easy installation in gardens, playgrounds, on beaches, etc...

BEFORE USE

- Before you start using this unit, please check if there's no transportation damage. Should there be any, do not use the device and consult your dealer first.
- **Important:** This device left our factory in perfect condition and well packaged. It is absolutely necessary for the user to strictly follow the safety instructions and warnings in this user manual. Any damage caused by mishandling is not subject to warranty. The dealer will not accept responsibility for any resulting defects or problems caused by disregarding this user manual.
- Keep this booklet in a safe place for future consultation. If you sell the fixture, be sure to add this user manual.

Check the contents:

Check that the carton contains the following items:

- English operating instructions, other languages can be downloaded from our website.
- EZ-SPOT15 OUTDOOR
- Groundpin
- IR-3 Remote Control

SAFETY INSTRUCTIONS:



CAUTION
RISK OF ELECTRIC SHOCK
DO NOT OPEN



CAUTION: To reduce the risk of electric shock, do not remove the top cover. No user-serviceable parts inside. Refer servicing to qualified service personnel only.



The lightning flash with arrowhead symbol within the equilateral triangle is intended to alert the user or the presence of un-insulated "dangerous voltage" within the product's enclosure that may be of sufficient magnitude to constitute a risk of electric shock.



The exclamation point within the equilateral triangle is intended to alert the user to the presence of important operation and maintenance (servicing) instructions in the literature accompanying this appliance.



This symbol means: indoor use only



This symbol means: Read instructions



This symbol determines: the minimum distance from lighted objects. The minimum distance between light-output and the illuminated surface must be more than 1 meters

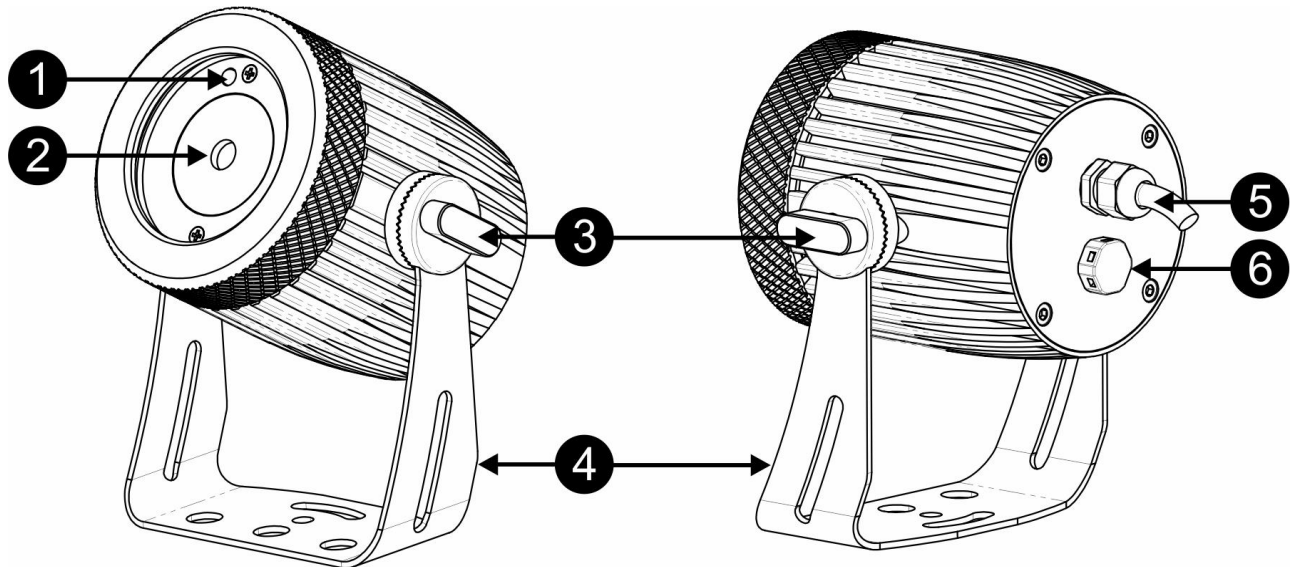
RISK GROUP 2
CAUTION:
Do not stare at operating lamp

CAUTION: Do not stare at operating lamp.
May be harmful to the eyes.

- To protect the environment, please try to recycle the packing material as much as possible.
- To prevent fire or shock hazard, do not expose this appliance to rain or moisture.
- To avoid condensation to be formed inside, allow the unit to adapt to the surrounding temperatures when bringing it into a warm room after transport. Condense sometimes prevents the unit from working at full performance or may even cause damages.
- This unit is for indoor use only.
- Don't place metal objects or spill liquid inside the unit. Electric shock or malfunction may result. If a foreign object enters the unit, immediately disconnect the mains power.
- Locate the fixture in a well ventilated spot, away from any flammable materials and/or liquids. The fixture must be fixed at least 50cm from surrounding walls.
- Don't cover any ventilation openings as this may result in overheating.
- Prevent use in dusty environments and clean the unit regularly.
- Keep the unit away from children.
- Inexperienced persons should not operate this device.
- Maximum safe ambient temperature is 40°C. Don't use this unit at higher ambient temperatures.
- Make sure the area below the installation place is free from unwanted persons during rigging, de-rigging and servicing.
- Allow the device about 10 minutes to cool down before to start servicing.
- Always unplug the unit when it is not used for a longer time or before to start servicing.
- The electrical installation should be carried out by qualified personal only, according to the regulations for electrical and mechanical safety in your country.
- Check that the available voltage is not higher than the one stated on the unit.
- The power cord should always be in perfect condition. Switch the unit immediately off when the power cord is squashed or damaged. It must be replaced by the manufacturer, its service agent or similarly qualified persons in order to avoid a hazard.
- Never let the power-cord come into contact with other cables!
- This fixture must be earthed in order to comply with safety regulations.
- Don't connect the unit to any dimmer pack.
- Always use an appropriate and certified safety cable when installing the unit.
- In order to prevent electric shock, do not open the cover. Apart from the mains fuse there are no user serviceable parts inside.
- **Never** repair a fuse or bypass the fuse holder. **Always** replace a damaged fuse with a fuse of the same type and electrical specifications!
- In the event of serious operating problems, stop using the fixture and contact your dealer immediately.
- The housing and the lenses must be replaced if they are visibly damaged.
- Please use the original packing when the device is to be transported.
- Due to safety reasons it is prohibited to make unauthorized modifications to the unit.

Important: Never look directly into the light source! Don't use the effect in the presence of persons suffering from epilepsy.

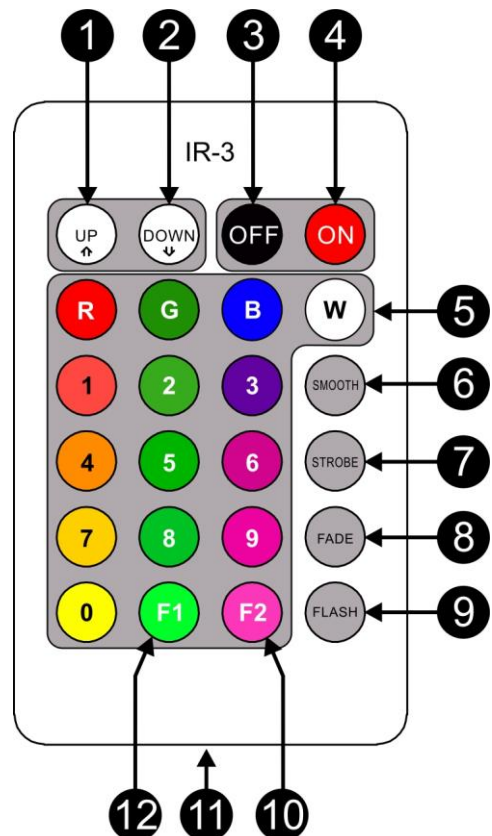
DESCRIPTION:



1. **IR-RECEIVER:** receives the commands from the IR-3 remote.
2. **LENS:** 10° lens in front of the 15W RGBW LED.
3. **KNOB:** used to fasten the hanging bracket from the projector. There is a knob on the left and right side of the projector.
4. **HANGING BRACKET:** with a knob on both sides to fasten the projector in the desired position. You can use the holes in the bracket to fix a hook or truss clamp.
5. **MAINS CABLE:** fixed mains cable with schuko plug.
6. **VALVE:** serves to drain water or condensation.

IR-3 REMOTE

1. **[UP]-button:** this button has 2 functions.
 - with fixed colors it will act as a dimmer button to increase the light output of the projector.
 - In show mode (SMOOTH – STROBE – FADE or FLASH) it will increase the speed.
2. **[DOWN]-button:** this button has 2 functions.
 - with fixed colors it will act as a dimmer button to decrease the light output of the projector.
 - In show mode (SMOOTH – STROBE – FADE or FLASH) it will decrease the speed.
3. **[OFF]-button:** this button has 2 functions.
 - used to switch off the output of the projector.
 - By pressing this button for 3s the IR-3 remote control will be turned off (the 15W led will flash RED 2 times).
4. **[ON]-button:** this button has 2 functions.
 - used to switch on the output of the projector.
 - By pressing this button for 3s the IR-3 remote control will be turned on (the 15W led will flash GREEN 2 times).
5. **[COLOR] (NUMBER) buttons:** each buttons represents a color.
 - R : Red
 - G : Green
 - B : Blue
 - W : White
 - 0 – 9 : colors
6. **[SMOOTH]-button:** used to select a smooth fading between different colors. The speed can be increased or decreased using the [UP]- and [DOWN]-button (1 & 2)



7. **[STROBE]-button:** used to switch the strobe function ON/OFF. Press the [UP] and [DOWN]-buttons (1 & 2) to adjust the strobe speed.
8. **[FADE]-button:** used to select a fading between different colors. The speed can be increased or decreased using the [UP]- and [DOWN]-button (1 & 2)
9. **[FLASH]-button:** used to select a color chase . The speed can be increased or decreased using the [UP]- and [DOWN]-button (1 & 2)
10. **[F2]-button:** no function.
11. **Battery compartment:** receives a CR2025 3V-battery (supplied).
12. **[F1]-button:** no function.

OVERHEAD RIGGING

Important: The installation must be carried out by qualified service personal only. Improper installation can result in serious injuries and/or damage to property. Overhead rigging requires extensive experience! Working load limits should be respected, certified installation materials should be used, the installed device should be inspected regularly for safety.

- Make sure the area below the installation place is free from unwanted persons during rigging, de-rigging and servicing.
- Locate the fixture in a well ventilated spot, far away from any flammable materials and/or liquids. The fixture must be fixed **at least 50cm** from surrounding walls.
- The device should be installed out of reach of people and outside areas where persons may walk by or be seated.
- Before rigging make sure that the installation area can hold a minimum point load of 10times the device's weight.
- Always use a certified safety cable that can hold 12times the weight of the device when installing the unit. This secondary safety attachment should be installed in a way that no part of the installation can drop more than 20cm if the main attachment fails.
- The device should be well fixed; a free-swinging mounting is dangerous and may not be considered!
- Don't cover any ventilation openings as this may result in overheating.
- The operator has to make sure that the safety-relating and machine-technical installations are approved by an expert before using them for the first time. The installations should be inspected every year by a skilled person to be sure that safety is still optimal.

ELECTRICAL INSTALLATION



Important: The electrical installation should be carried out by qualified personal only, according to the regulations for electrical and mechanical safety in your country.

OPERATING INSTRUCTIONS

- Just connect the projector to the mains.
- Press the [ON] button on the IR-3 remote control for 3s. The LED will flash 2 times in GREEN.
- The IR-3 remote control is now ready for use.
- Select a fixed color by pressing one of the color buttons or choose a built in program ([SMOOTH], [STROBE], [FADE], [FLASH])
- You can adjust the speed of the programs or dim the fixed color by pressing the [UP] or [DOWN] buttons.
- Pressing the [OFF] button for 3s will disable the IR-3 remote control.
- Pressing the [OFF] button shortly will switch off the output of the projector.

MAINTENANCE

- Make sure the area below the installation place is free from unwanted persons during servicing.
- Switch off the unit, unplug the mains cable and wait until the unit has been cooled down.

During inspection the following points should be checked:

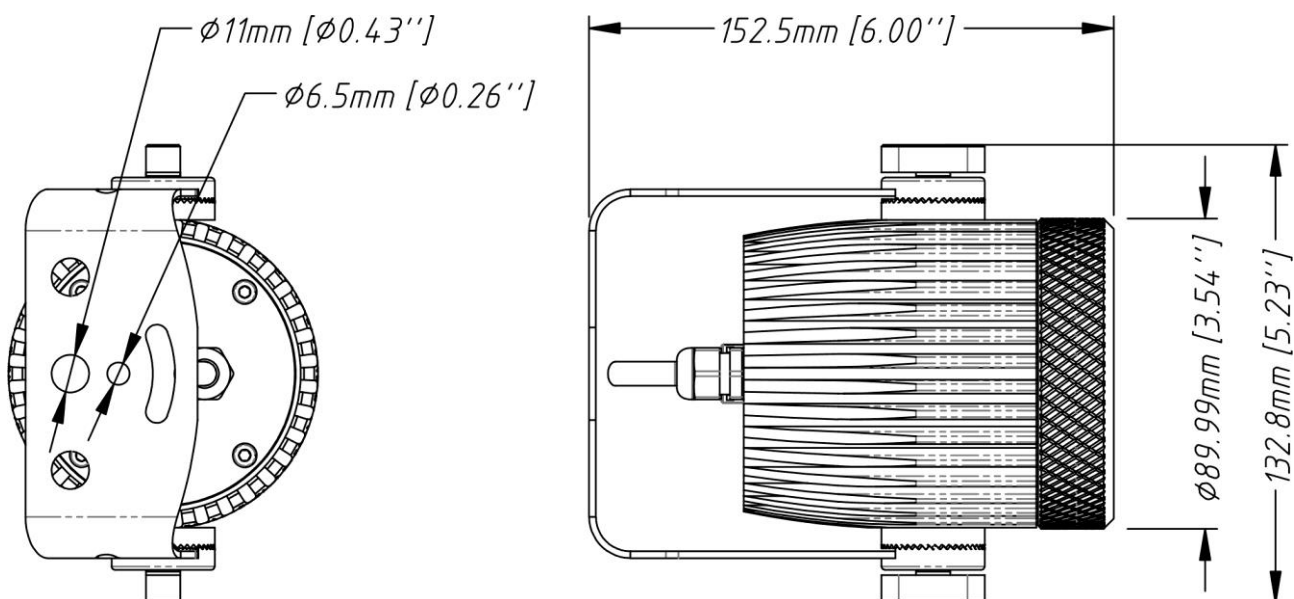
- All screws used for installing the device and any of its parts should be tightly fastened and may not be corroded.
- Housings, fixations and installations spots (ceiling, truss, suspensions) should be totally free from any deformation.
- When an optical lens is visibly damaged due to cracks or deep scratches, it must be replaced.
- The mains cables must be in impeccable condition and should be replaced immediately when even a small problem is detected.
- In order to protect the device from overheat the cooling fans (if any) and ventilation openings should be cleaned monthly.
- The interior of the device should be cleaned annually using a vacuum cleaner or air-jet.
- The cleaning of internal and external optical lenses and/or mirrors must be carried out periodically to optimize light output. Cleaning frequency depends on the environment in which the fixture operates: damp, smoky or particularly dirty surroundings can cause greater accumulation of dirt on the unit's optics.
 - Clean with a soft cloth using normal glass cleaning products.
 - Always dry the parts carefully.

Attention: We strongly recommend internal cleaning to be carried out by qualified personnel!

SPECIFICATIONS

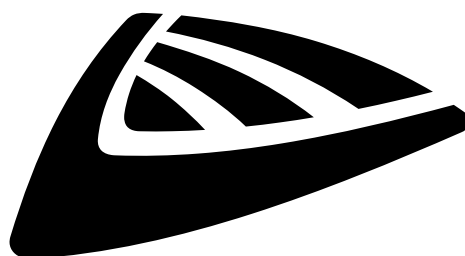
This unit is radio-interference suppressed. This product meets the requirements of the current European and national guidelines. Conformity has been established and the relevant statements and documents have been deposited by the manufacturer.

Mains Input:	AC 100 - 240V, 50/60Hz
Power consumption:	15 Watt max.
Power connection:	Schuko.
Lamp:	LED, 15W RGBW (1pc)
Beam Angle:	10°
IP-Rating:	IP65
Size:	see drawing
Weight:	1,32 kg



The information might be modified without prior notice

You can download the latest version of this user manual on our website: www.briteq-lighting.com



JB SYSTEMS

MAILING LIST

EN: Subscribe today to our mailing list for the latest product news!

FR: Inscrivez-vous à notre liste de distribution si vous souhaitez suivre l'actualité de nos produits!

NL: Abonneer je vandaag nog op onze mailinglijst en ontvang ons laatste product nieuws!

DE: Abonnieren Sie unseren Newsletter und erhalten Sie aktuelle Produktinformationen!

ES: Suscríbete hoy a nuestra lista de correo para recibir las últimas noticias!

WWW.JB-SYSTEMS.EU

Copyright © 2017 by BEGLEC NV

t Hofveld 2C ~ B1702 Groot-Bijgaarden ~ Belgium

Reproduction or publication of the content in any manner, without express permission of the publisher, is prohibited.