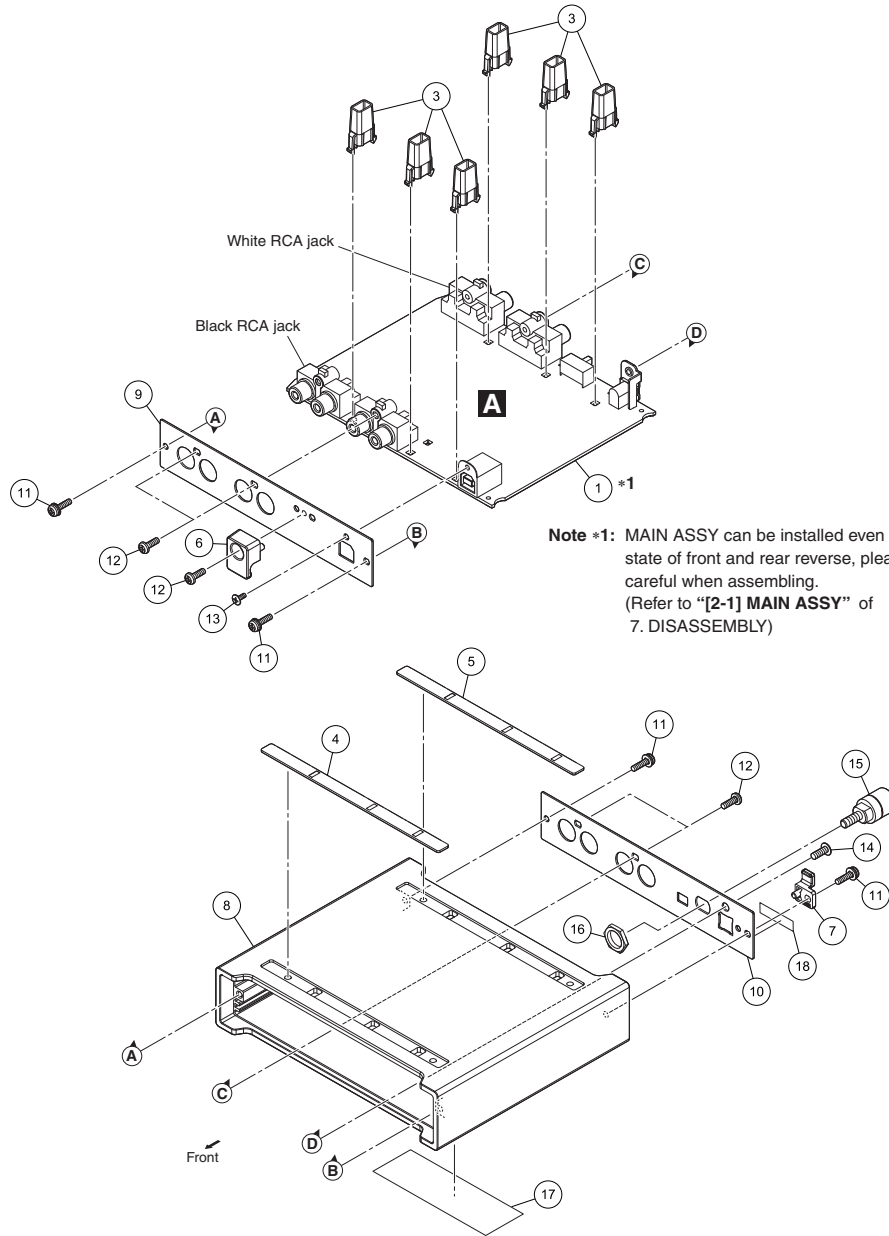


## 9.2 MAIN UNIT SECTION



### MAIN UNIT SECTION PARTS LIST

Mark No.	Description	Part No.	Mark No.	Description	Part No.
1	MAIN ASSY	DWX3995	11	Screw	PMH30P080FTB
2	•••••		12	Screw	PBZ30P080FTB
3	Holder	DNK6697	13	Screw (M3*5)	DBA1340
4	Panel	DAH3148	14	Screw (Fe)	DBA1290
5	Panel	DAH3149	15	Earth Terminal	DKE1021
6	Hook	DNK6695	16	Nut	NK90FTC
7	Hook	DNK6696	NSP	17 Name Label	See Contrast table (2)
8	Case	DNB1257	NSP	18 Label	See Contrast table (2)
9	Panel	DNC2131			
10	Panel	DNC2132			

### (2) CONTRAST TABLE

SYXJ, UXJCB, FWPWXJ and XJCN are constructed the same except for the following:

Mark	No.	Symbol and Description	SYXJ	UXJCB	FWLPWXJ	XJCN
NSP	17	Name Label	Not used	Not used	Not used	DAL1354
NSP	18	Label	Not used	Not used	Not used	DRW2739