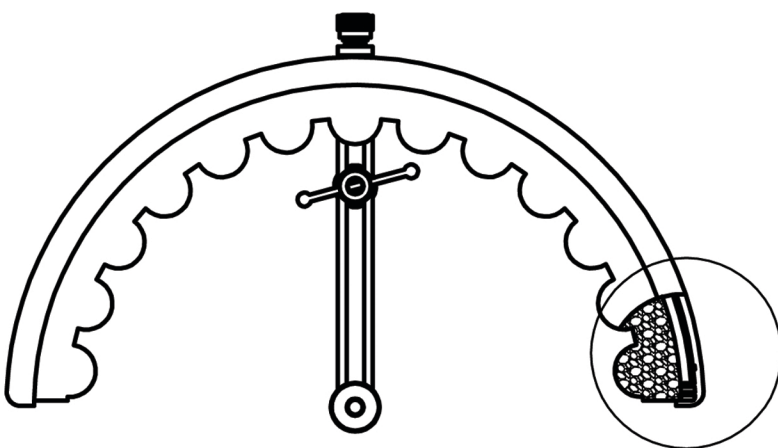
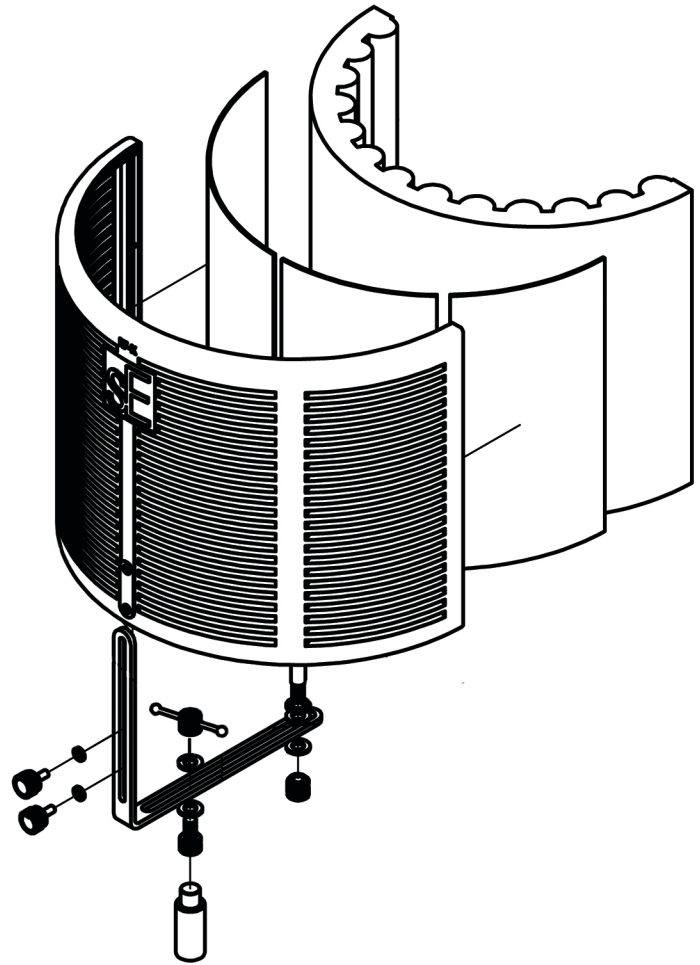
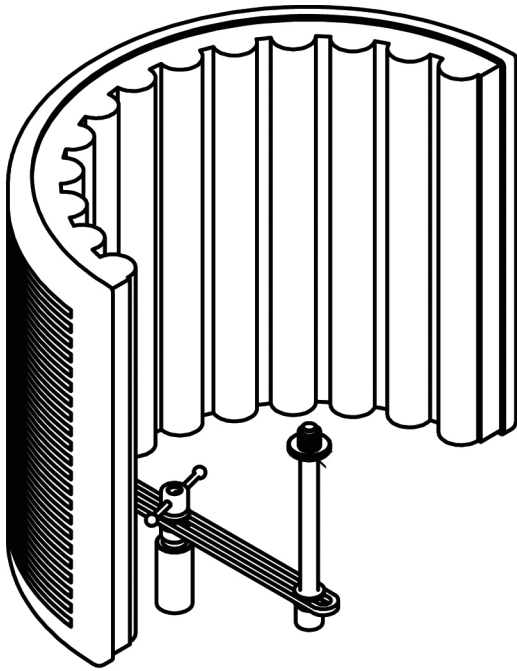




# RF-X Reflexion Filter™ X

Patent No. US 8,191,678



Acoustic Foam

Air Gap

Acoustic Grade Wool

Composite Polymer

